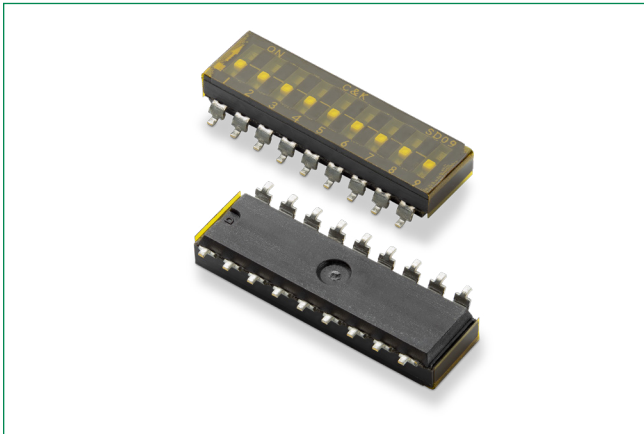


# SD Series

## Low Profile DIP Switches



### Specifications

<b>Switch Function</b>	SPST - 2, 3, 4, 5, 6, 7, 8, 9, 10 & 12
<b>Contact Rating</b>	Carry: 100 mA @ 50 V DC max. Switch: 0.1 mA @ 5 V DC min to 100 mA @ 25 V DC max.

### Mechanical Specifications

<b>Mechanical and Electrical Life</b>	2,000 make-and-break cycles at full load, each circuit.
<b>Contact Resistance</b>	Below 50 milliohms typ. initial @ 2-4 V DC, 100mA.
<b>Insulation Resistance</b>	10 <sup>9</sup> ohms min.
<b>Dielectric Strength</b>	500 V RMS min. @ sea level between adjacent terminals.

### Environmental Specifications

<b>Storage Temperature</b>	-40°C to 85°C
<b>Operating Temperature</b>	
<b>Operating Force</b>	100-700g initial

### Process

<b>Packaging</b>	Thru-hole switches supplied in rigid dispensing tubes in full-tube quantities only; this may effect order quantity. Surface mount switches available in tape and reel packaging by added 'R' to end of part number; 1,000 pieces per reel. Switch position 1 denotes pin number 1. All switch actuators in 'OFF' position, standard.
------------------	--

### Description

The SD series are long lasting, high quality, low profile DIP switches that are available in thru-hole or surface mount models and with tape or reel packaging. The SD series' low-profile design saves space and are perfect to power address switches for industrial controls, logic switching for computers, and various function controls.

### Features & Benefits

- Low profile design saves space
- Thru-hole and surface mount models
- Tape and reel packaging available
- Sealed with top tape
- RoHS compliant

### Applications

- Address switch for industrial controls
- Logic switching for computers and peripherals
- Function controlling for numerous applications

### Materials

<b>Case &amp; Cover</b>	(PPA), flame retardant (UL 94V-0)
<b>Actuator</b>	Nylon, flame retardant (UL 94-0)
<b>Contacts</b>	BeCu with gold plate
<b>Terminals</b>	Bright tin-plated brass
<b>Terminal Seal</b>	All terminals insert molded
<b>Tape Seal</b>	Polyimide

**Note:** Specifications and materials listed above are for switches with standard options. For information on specific and custom switches, consult Customer Service Center.

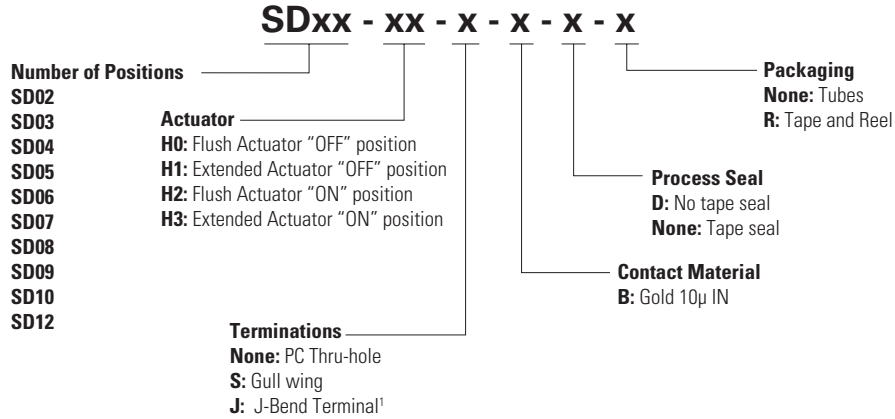
# SD Series

## Low Profile DIP Switches



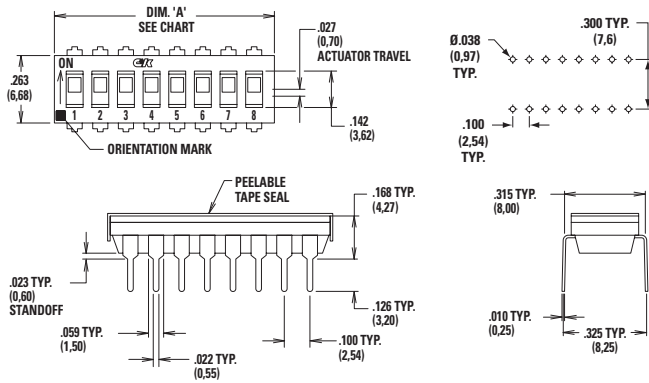
### Ordering Number

Our easy build-a-switch concept allows you to mix and match options to create the switch you need. To order, select desired option from each category and place it in the appropriate box. All switches supplied in "OFF" position.



**Notes:**  
1. Consult factory for availability

### Sealed Flush Actuator – With Top Tape, Thru-hole Terminals Process sealed - withstands soldering and cleaning processes



ROHS Part #	No. Pos.	DIM 'A'	Quantity per Tube
SD02H0B	2	0.258 (6.55)	85
SD03H0B	3	0.358 (9.09)	60
SD04H0B	4	0.458 (11.63)	45
SD05H0B	5	0.558 (14.17)	40
SD06H0B	6	0.658 (16.71)	30
SD07H0B	7	0.758 (19.25)	25
SD08H0B	8	0.858 (21.79)	25
SD09H0B	9	0.958 (24.33)	20
SD10H0B	10	1.058 (26.87)	20
SD12H0B	12	1.258 (31.95)	15

#### Schematic SPST



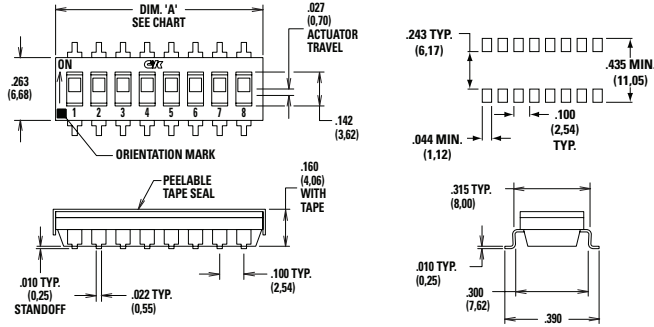
Notes: Table applicable to "H0" and "H2" actuator option.

# SD Series

## Low Profile DIP Switches



### Sealed Flush Actuator – With Top Tape, Surface Mount Terminals



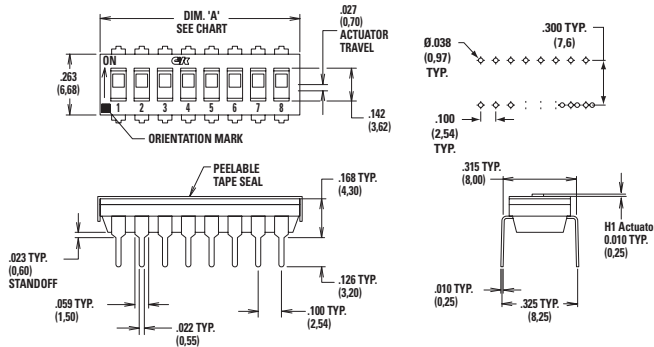
ROHS Part #	No. Pos.	DIM 'A'	Quantity per Tube
SD02H0SB	2	0.258 (6.55)	85
SD03H0SB	3	0.358 (9.09)	60
SD04H0SB	4	0.458 (11.63)	45
SD05H0SB	5	0.558 (14.17)	40
SD06H0SB	6	0.658 (16.71)	30
SD07H0SB	7	0.758 (19.25)	25
SD08H0SB	8	0.858 (21.79)	25
SD09H0SB	9	0.958 (24.33)	20
SD10H0SB	10	1.058 (26.87)	20
SD12H0SB	12	1.258 (31.95)	15

#### Schematic SPST



Notes: Table applicable to "H0" and "H2" actuator option.

### Sealed Extended Actuator – With Top Tape, Thru-hole Terminals



ROHS Part #	No. Pos.	DIM 'A'	Quantity per Tube
SD02H1B	2	0.258 (6.55)	85
SD03H1B	3	0.358 (9.09)	60
SD04H1B	4	0.458 (11.63)	45
SD05H1B	5	0.558 (14.17)	40
SD06H1B	6	0.658 (16.71)	30
SD07H1B	7	0.758 (19.25)	25
SD08H1B	8	0.858 (21.79)	25
SD09H1B	9	0.958 (24.33)	20
SD10H1B	10	1.058 (26.87)	20
SD12H1B	12	1.258 (31.95)	15

#### Schematic SPST



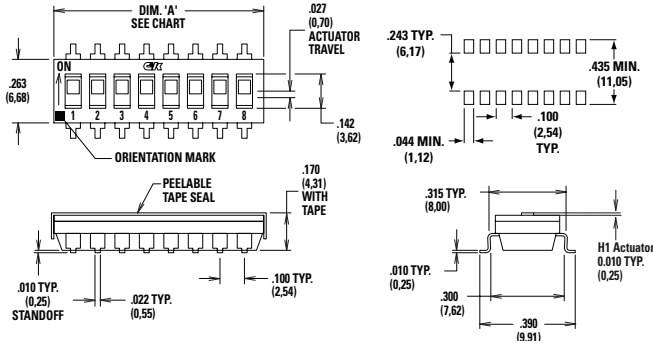
Notes: Table applicable to "H1" and "H3" actuator option.

# SD Series

## Low Profile DIP Switches



### Sealed Extended Actuator – With Top Tape, Surface Mount Terminals



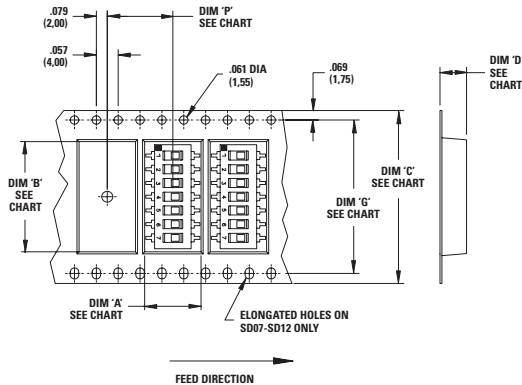
ROHS Part #	No. Pos.	DIM 'A'	Quantity per Tube
SD02H1SB	2	0.258 (6.55)	85
SD03H1SB	3	0.358 (9.09)	60
SD04H1SB	4	0.458 (11.63)	45
SD05H1SB	5	0.558 (14.17)	40
SD06H1SB	6	0.658 (16.71)	30
SD07H1SB	7	0.758 (19.25)	25
SD08H1SB	8	0.858 (21.79)	25
SD09H1SB	9	0.958 (24.33)	20
SD10H1SB	10	1.058 (26.87)	20
SD12H1SB	12	1.258 (31.95)	15

#### Schematic SPST



Notes: Table applicable to "H1" and "H3" actuator option.

### Tape & Reel Packaging – Surface Mount Options Only



ROHS Part #	No. Pos.	DIM 'A'	Quantity per Tube
SD02H0SBR	2	0.258 (6.55)	1000
SD03H0SBR	3	0.358 (9.09)	1000
SD04H0SBR	4	0.458 (11.63)	1000
SD05H0SBR	5	0.558 (14.17)	1000
SD06H0SBR	6	0.658 (16.71)	1000
SD07H0SBR	7	0.758 (19.25)	1000
SD08H0SBR	8	0.858 (21.79)	1000
SD09H0SBR	9	0.958 (24.33)	1000
SD10H0SBR	10	1.058 (26.87)	1000
SD12H0SBR	12	1.258 (31.95)	1000

#### Schematic SPST



Notes: Table applicable to "H0" and "H2" actuator option.

# SD Series

## Low Profile DIP Switches



### Reel Information

Switch #	DIM 'A' Pocket Length @ Bottom	DIM 'B' Pocket Length @ Bottom	DIM 'C' Tape Width	DIM 'D' Pocket Depth	DIM 'G' Sprocket Hole Spacing	DIM 'P' Pitch Between Pockets
SD02	0.413 (10.3)	0.315 (8.0)	0.630 (16.0)	0.177 (4.5)	N/A	0.472 (12.0)
SD03	0.406 (10.3)	0.406 (10.3)				
SD04	0.429 (10.9)	0.476 (12.1)	0.954 (24.0)	0.177 (4.5)	N/A	0.472 (12.0)
SD05	0.406 (10.3)	0.602 (15.3)				
SD06	0.406 (10.3)	0.701 (17.8)				
SD07	0.406 (10.3)	0.803 (20.4)	1.260 (32.0)	0.177 (4.5)	1.118 (28.4)	0.472 (12.0)
SD08	0.406 (10.3)	0.854 (21.7)	1.732 (44.0)	0.177 (4.5)	1.591 (40.4)	0.472 (12.0)
SD09		1.028 (26.1)				
SD10		1.055 (26.8)				
SD12		1.258 (31.95)				

**Notes:**

Outside diameter 13.00 (333.0) Pilot hole: 512 (13.0)

**Disclaimer Notice** - Information furnished is believed to be accurate and reliable. However, users should independently evaluate the suitability of and test each product selected for their own applications. Littelfuse products are not designed for, and may not be used in, all applications. Read complete Disclaimer Notice at <http://www.littelfuse.com/disclaimer-electronics>.