

# CS Series

## 4-way Adjustable Direction Switch



### Description

The CS series 4-way adjustable direction switch from C&K is perfect for mirror control products in the automotive and industrial industries, where offering adjustable direction capabilities in a compact format is a must. C&K's CS switches are reliable and long-lasting – and are made with a wire harness and connector, making it easy for designers to customize to their specifications.

### Features & Benefits

- Designed for mirror control
- 4-way adjustable directions
- Wire harness and connector easy to customize

### Applications

- Automotive
- Industrial

### Specifications

<b>Contact Rating</b>	0.2 @ 12 VDC
<b>Operating Life</b>	10,000 cycles
<b>Insulation Resistance</b>	10 M $\Omega$ min. @ 500 VDC
<b>Dielectric Strength</b>	500 V AC
<b>Operating Temperature</b>	-40°C to 90°C
<b>Operating Force</b>	L OFF, R-OFF; 200 $\pm$ 100 gf OFF-L, OFF-R; 400 $\pm$ 200 gf 4 Direction; 500 $\pm$ 200 gf

### Materials

<b>Knob &amp; Cover</b>	ABS
<b>Terminal</b>	Brass, tin plated

#### Notes:

Specifications and materials listed above are for switches with standard options. For information on specific and custom switches, consult Customer Service Center.

### Ordering Number

Part Number (Part Description)	Product Details
CS-41001-E	4 directions switch with selector slide switch

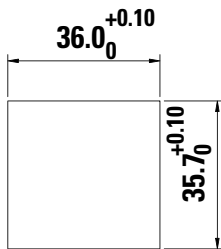
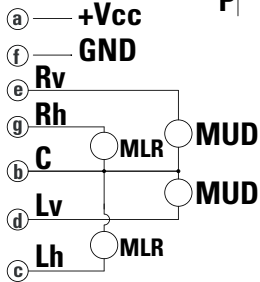
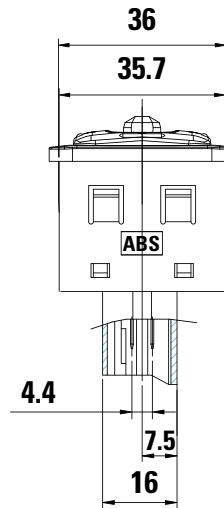
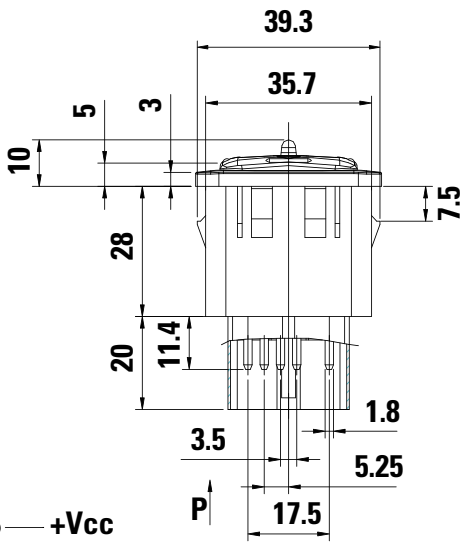
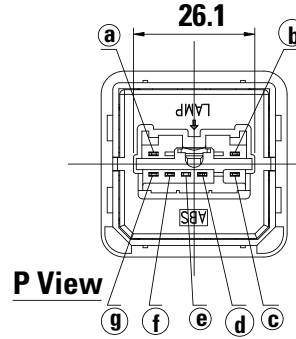
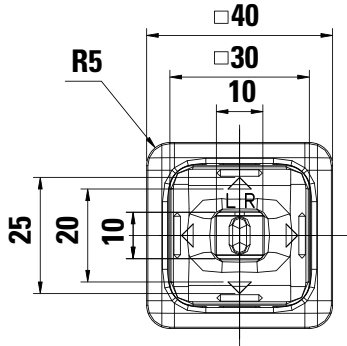
# CS Series

## 4-way Adjustable Direction Switch



### Dimensions (mm)

Part Number	Packaging
CS-41001-E	256 pieces



### Schematic

**Disclaimer Notice** - Information furnished is believed to be accurate and reliable. However, users should independently evaluate the suitability of and test each product selected for their own applications. Littelfuse products are not designed for, and may not be used in, all applications. Read complete Disclaimer Notice at <http://www.littelfuse.com/disclaimer-electronics>.