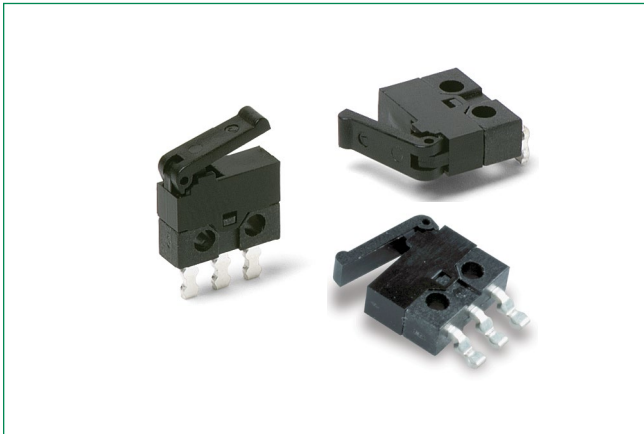


# MDS Series

## Mini Size Snap-acting Switches



### Description

The MDS series mini size snap-acting switches are designed with a snap-acting tactile feel, feature a mini package size and come in either a vertical or right-angle PCB mount variety. MDS switches are perfect for medical devices, consumer electronic devices and other applications where you need to be able to detect the presence of a mechanical device.

### Features & Benefits

- Snap-acting tactile feel
- Available in vertical or right angle PCB mount
- RoHS compliant and compatible
- Mini package size

### Applications

- Detect the presence of a mechanical device
- Medical devices
- Consumer electronic devices
- ATCA applications

### Specifications

<b>Contact Rating</b>	300mA @ 30 VDC
<b>Mechanical &amp; Electrical Life</b>	30,000 operations
<b>Contact Resistance</b>	100 m Ω max. initial
<b>Operating Temperature</b>	-25°C to 70°C
<b>Solderability</b>	According to lead free solder profiles
<b>Packaging</b>	Available in bulk or tape and reel.
<b>Operating Force</b>	50g Max.
<b>Release Force</b>	3g Min.

### Materials

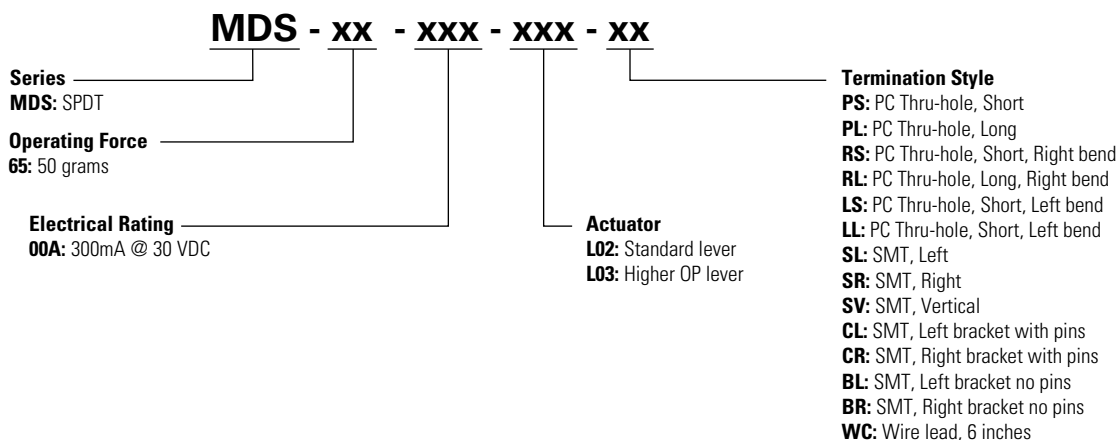
<b>Base</b>	PA9T
<b>Cover</b>	
<b>Actuator</b>	Copper alloy, Silver plated
<b>Movable Contact</b>	
<b>Stationary Contacts</b>	
<b>Terminals</b>	

#### Notes:

MDS series is RoHS compliant, and compatible. See technical data section of this catalog for RoHS compliant and compatible definitions and specifications. Specifications and materials listed above are for switches with standard options. For information on specific and custom switches, consult Customer Service Center.

### Ordering Number

Our easy build-a-switch concept allows you to mix and match options to create the switch you need. To order, select desired option from each category and place it in the appropriate box.

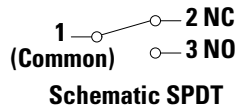
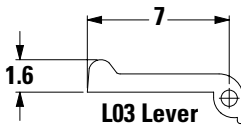
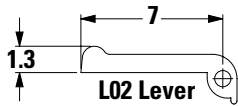
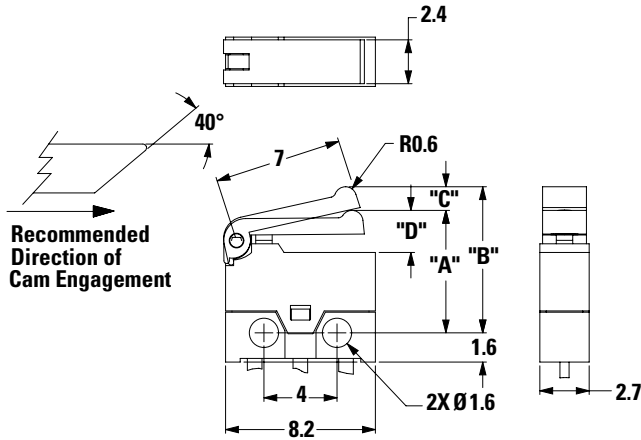


# MDS Series

## Mini Size Snap-acting Switches



### Series Dimensions - inches (mm)



### Operating Characteristics

		Lever L02	Lever L03
Operating Position	DIM 'A'	6.7±0.5	7.0+/-0.5
Free Position	DIM 'B'	8 max.	8.5 max.
Pre-Travel	DIM 'C'	1.8 max.	
Over Travel	DIM 'D'	0.3 min.	
Contact Rating		0.3A @ 30 VDC	
Operating Force		50 grams F. max.	

### Electrical Rating

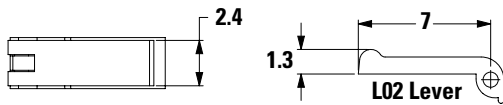
Option Code	Electrical Rating
00A	300mA @ 30 V DC

### Operating Force

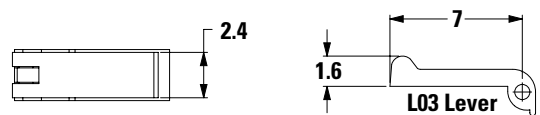
Option Code	Operating Force
65	50 grams max.

### Actuator

#### L02 Standard Lever

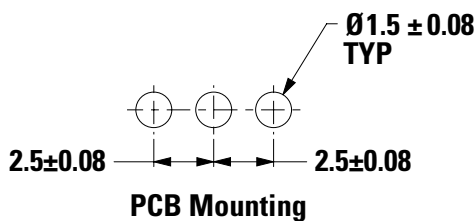


#### L03 Higher OP Lever

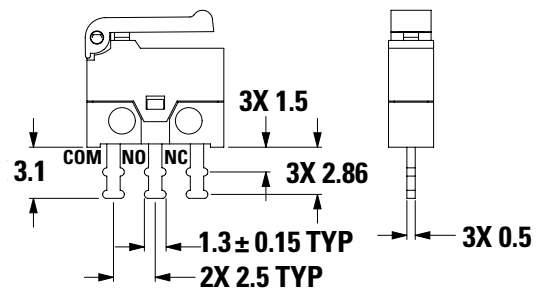


### Terminations

#### PCB Mounting Pattern



#### PS PC Thru-hole, Short Straight

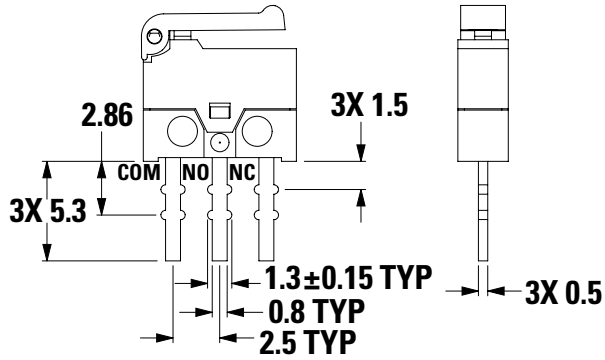


# MDS Series

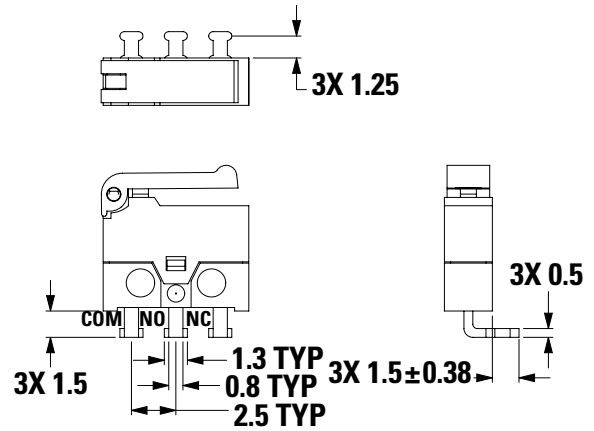
## Mini Size Snap-acting Switches



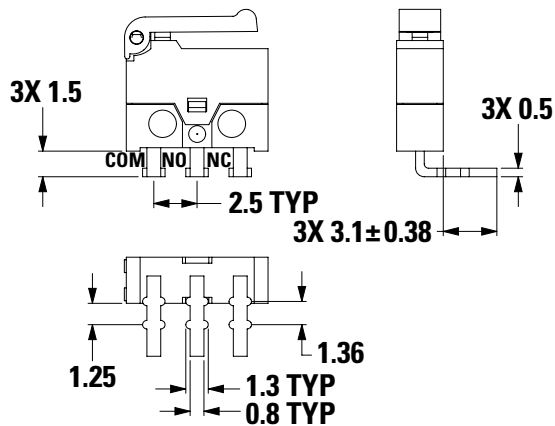
PL PC Thru-hole, Long Straight



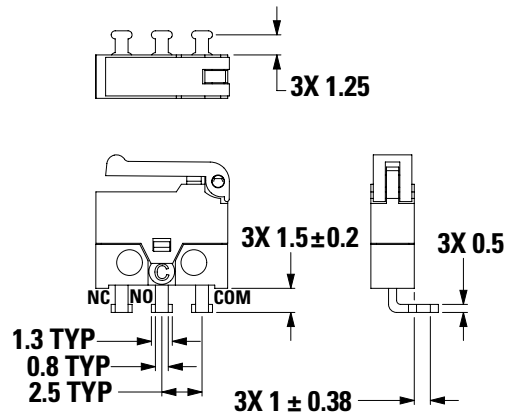
RS PC Thru-hole, Short Right Bend



RL PC Thru-hole, Long Right Bend



LS PC Thru-hole, Short Left Bend

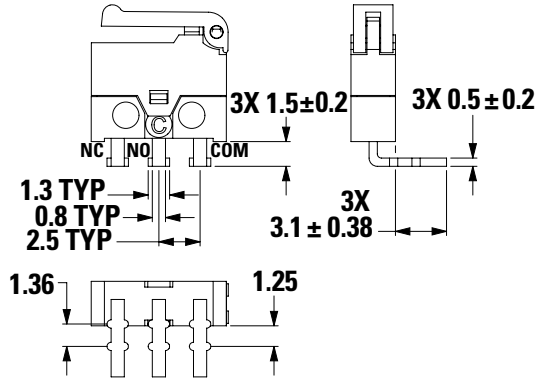


# MDS Series

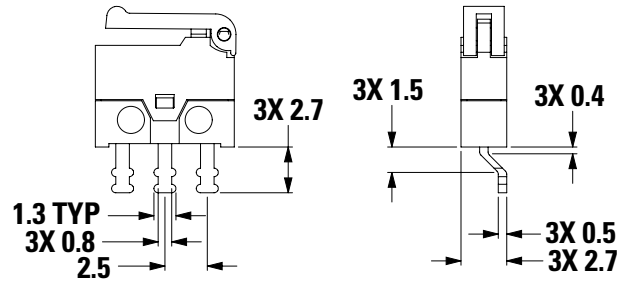
## Mini Size Snap-acting Switches



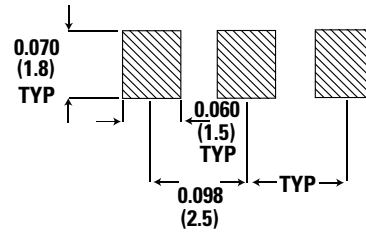
LL PC Thru-hole, Long Left Bend



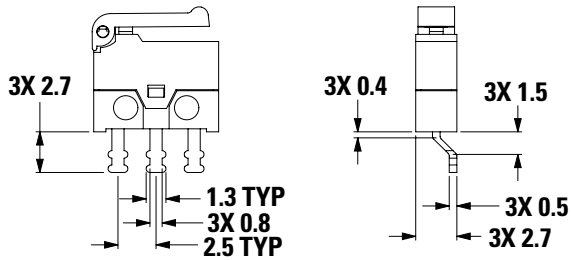
SL SMT, Left Mount



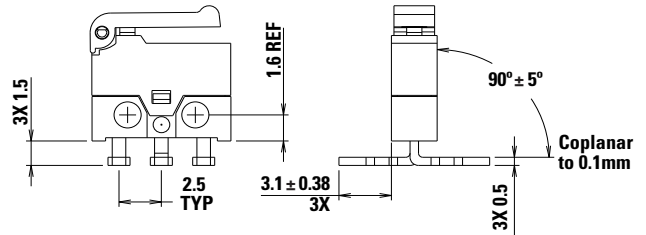
SMT Mounting Pattern



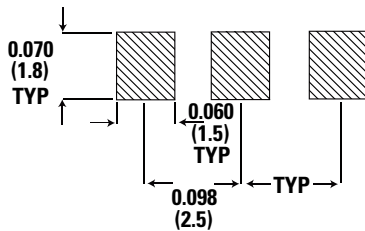
SR SMT, Right Mount



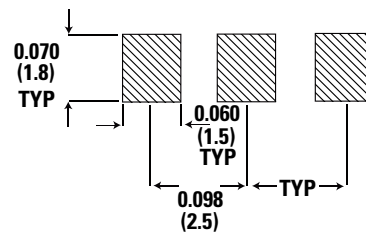
SV SMT, Vertical



SMT Mounting Pattern



SMT Mounting Pattern

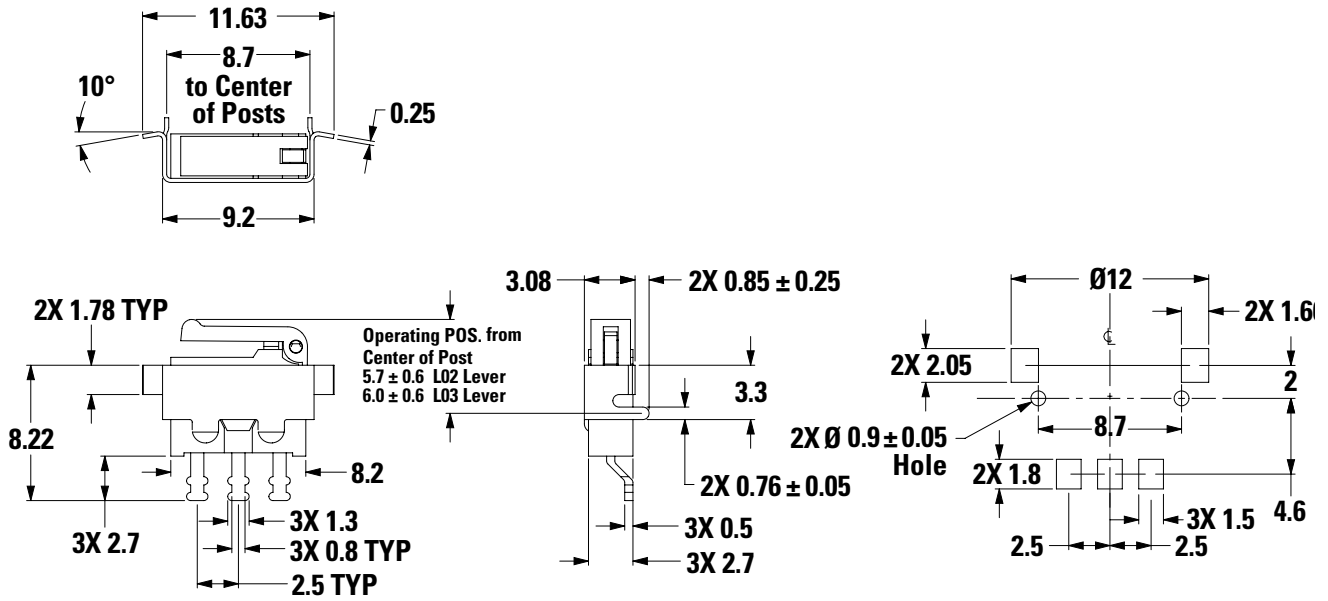


# MDS Series

## Mini Size Snap-acting Switches



### CL SMT, Left Bracket With Pins

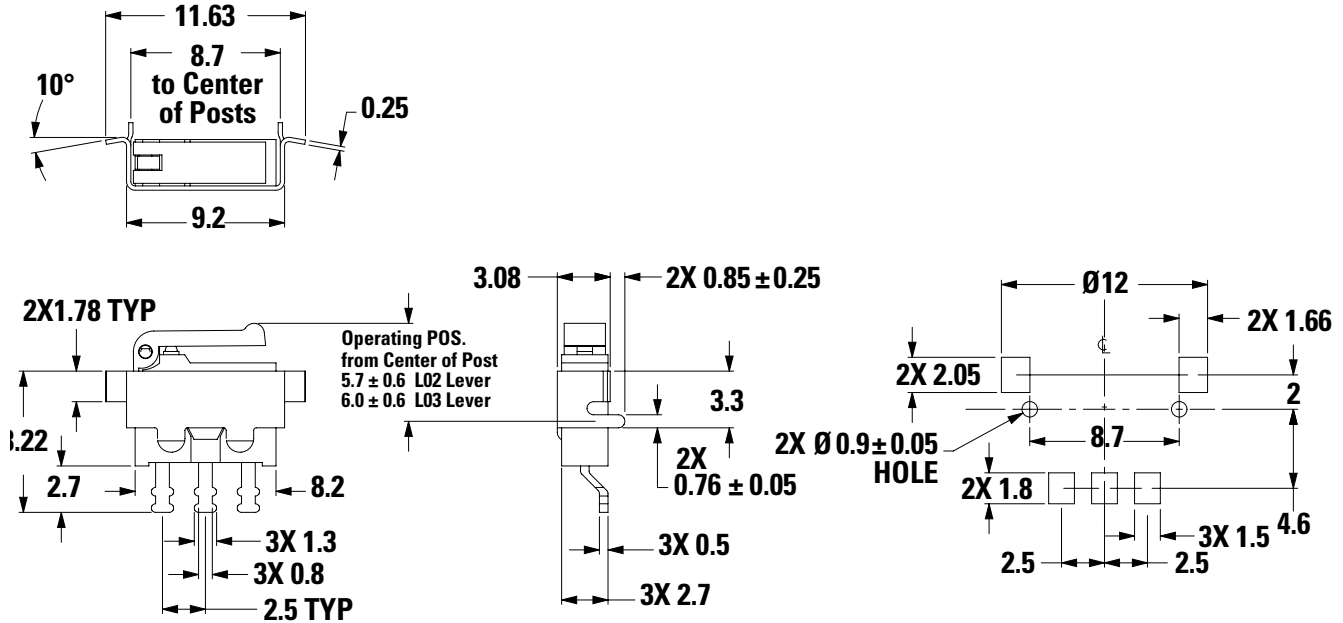


# MDS Series

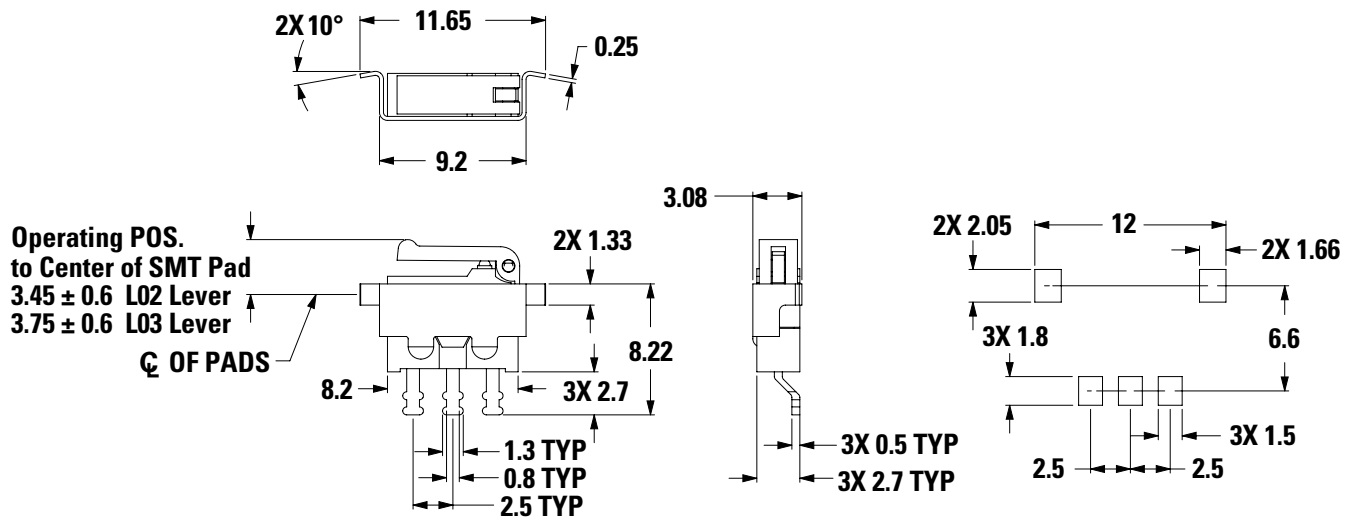
## Mini Size Snap-acting Switches



### CR SMT, Right Bracket With Pins



### BL SMT, Left Bracket No Pins

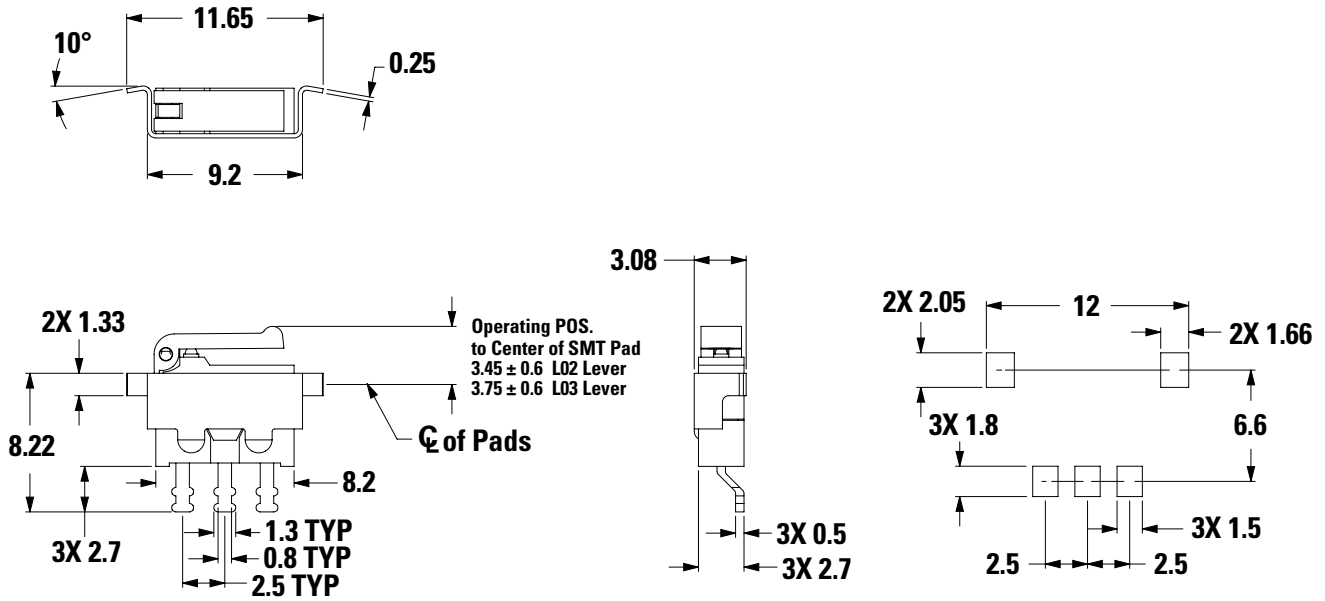


# MDS Series

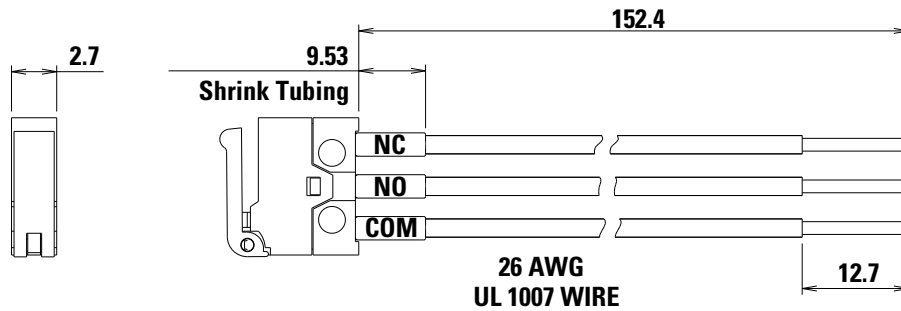
## Mini Size Snap-acting Switches



### BR SMT, Right Bracket No Pins

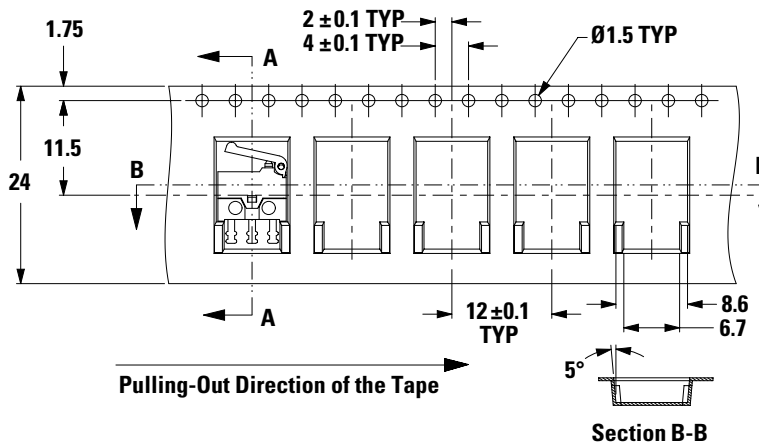


### WC Wire Lead, 6 inches

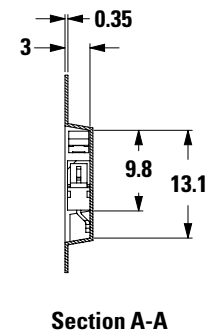


### Tape and Reel

#### SL SMT, Left Mount



#### SR SMT, Right Mount



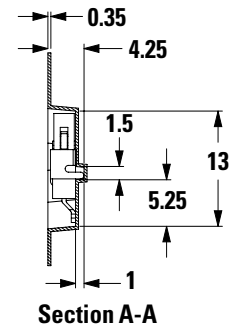
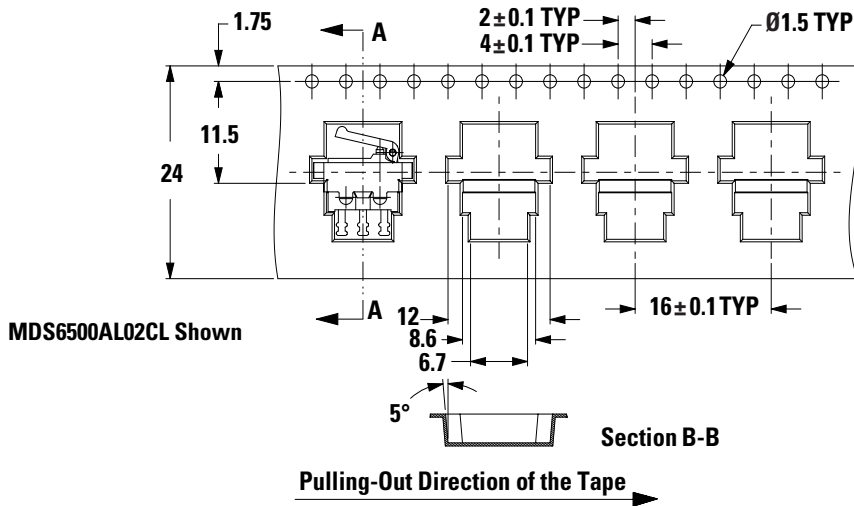
# MDS Series

## Mini Size Snap-acting Switches

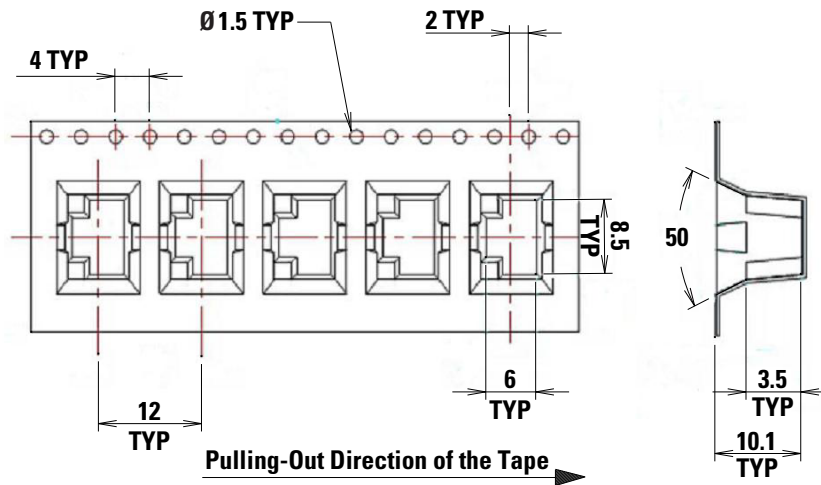


**CL SMT, Left Mount**  
**BL SMT, Left Mount**

**CR SMT, Right Mount**  
**BR SMT, Right Mount**



**SV SMT, Vertical Mount**



**Notes:** Supplied in carrier tape meeting the EIA-481-2 standard for 24mm tape. Packaging quantity: SL and SR: 1,600 pieces per reel. CL, CR, BL and BR: 1,000 pieces per reel. SV: 400 pieces per reel. WC: consult factory

**Disclaimer Notice** - Information furnished is believed to be accurate and reliable. However, users should independently evaluate the suitability of and test each product selected for their own applications. Littelfuse products are not designed for, and may not be used in, all applications. Read complete Disclaimer Notice at <http://www.littelfuse.com/disclaimer-electronics>.