

# 3401-022 Accessories / Screwlocks

## Product Features

Male or female screwlocks

Residual magnetism level

- Brass parts: NMB (200 Gamma max)
- Stainless Steel parts: NMB (2000 Gamma max)

**1 part number for 1 piece** (or kit)

**Order 2 pieces (or kits) per connector**

Packaging unit

- 2 pieces (plastic bag) for ESA/ESCC quality level
- 50 pieces (plastic bag) for FR023 quality level
- 50 pieces (plastic bag) for FR022 quality level

Maximum torque value for screws

- 5.5 cm.daN for female (brass)
- 6.6 cm.daN for female (stainless steel)
- 3.3 cm.daN for female-saver/feedthrough (brass)
- 4.4 cm.daN for female-saver/feedthrough (stainless steel)
- 3.3 cm.daN for male (brass)
- 4.4 cm.daN for male (stainless steel)

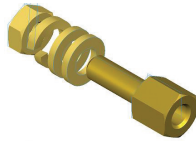


## Section 1 - Standard Female Screwlock

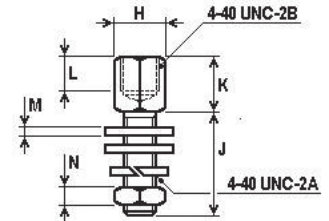
Standard version for use on panel

1 Kit consists of:

- 1 screwlock
- 2 washers
- 1 lock washer
- 1 nut



Two washers are used when front mounting. Remove one washer for each 0,80 (.031) of panel thickness when rear mounting. 1,60 (.063) max panel.



Max weight (grams): 2.0 (1 piece)

ESA/ESCC 3401 Variant	Application	H ± 0,38 (.015)	J ± 0,15 (.006)	K ± 0,05 (.002)	L min	M ± 0,05 (.002)	N ± 0,10 (.004)
01 / 48	Standard	4,75 (.187)	7,92 (.312)	4,85 (.191)	3,18 (.125)	0,80 (.031)	2,10 (.083)
06 / 53	Savers	4,75 (.187)	14,50 (.571)	4,85 (.191)	3,18 (.125)	0,80 (.031)	2,10 (.083)
58 / 59	Feedthrough	4,75 (.187)	15,87 (.625)	4,85 (.191)	3,18 (.125)	0,80 (.031)	2,10 (.083)

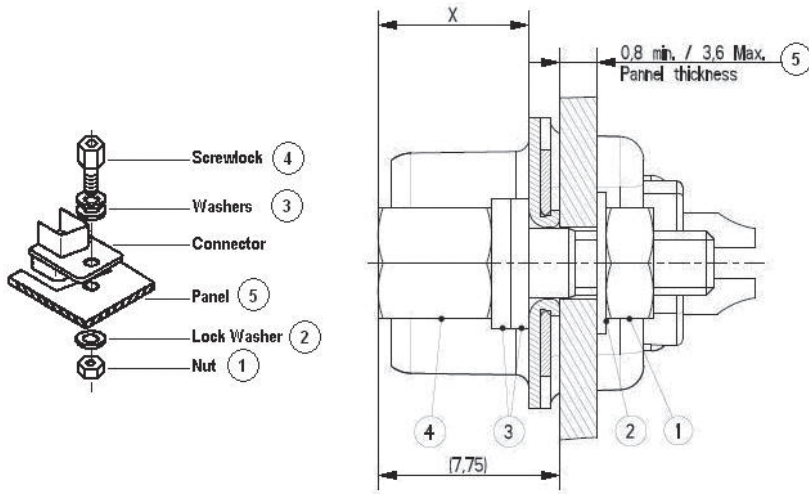
## Female Screwlock Cross References

Application	Material	ESA/ESCC Quality Level		FR022 Quality Level	
		Description	Part Number	Description	Part Number
Standard	Brass	340102201B NMB	C020418-0052C	D115418-0052-FR022	C115418-0052
Standard	Stainless Steel	340102248B	C115418-1000C	D115418-1000-FR022	C115418-1000
Savers	Brass	340102206B NMB	C020418-0070C	D115418-0070-FR022	C115418-0070
Savers	Stainless Steel	340102253B	C115418-1001C	D115418-1001-FR022	C115418-1001
Feedthrough	Brass	340102258B NMB	C020418-0101C	D115418-0101-FR022	C115418-0101
Feedthrough	Stainless Steel	340102259B	C020418-0077C	D115418-0077-FR022	C115418-0077

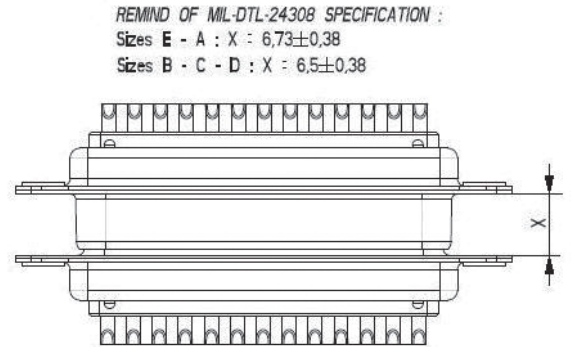
# 3401-022 Accessories / Screwlocks

Mounting method on panel for standard version:

## FRONT PANEL MOUNT

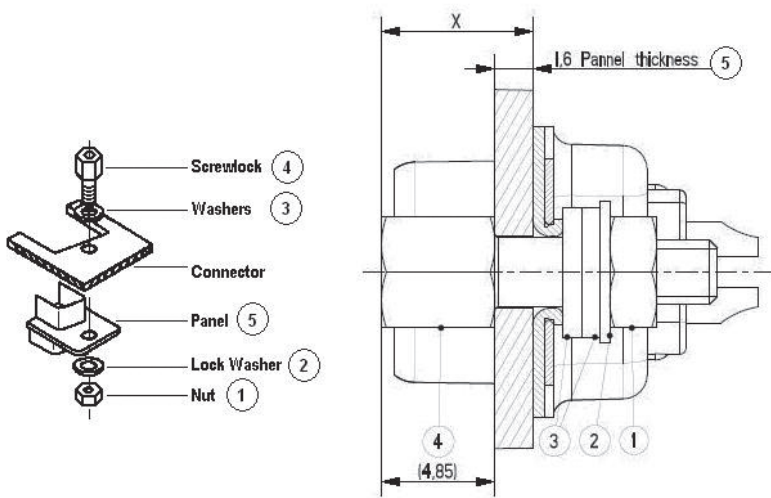


The 2 locking washers (3) are on front side of the panel

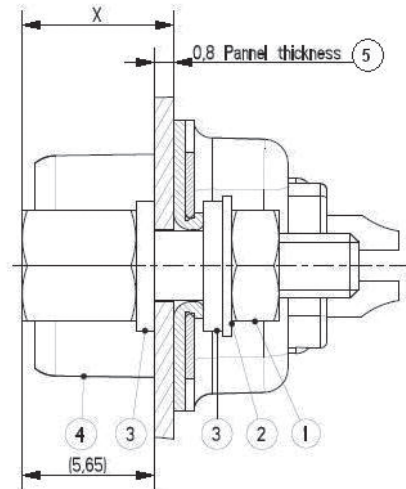


REMINI OF MIL-DTL-24308 SPECIFICATION :  
 Sizes E - A : X :  $6,73 \pm 0,38$   
 Sizes B - C - D : X :  $6,5 \pm 0,38$

## REAR PANEL MOUNT

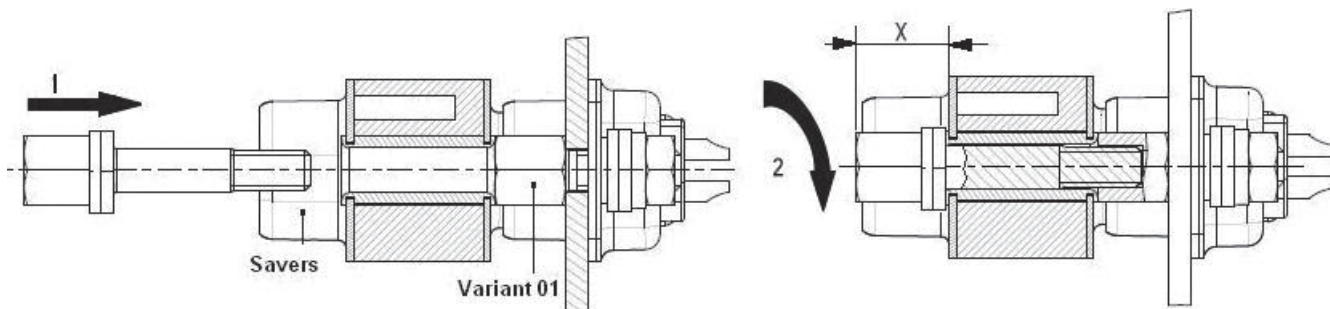


The 2 locking washers (3) are on rear side of the panel



The 2 locking washers (3) are on each side of the panel

Mounting method for savers or feedthrough version:



- 1 - Installation of locking in the fixing holes of the connector saver.

- 2 - Locking in the female spacer of the connector by rotation (screw).

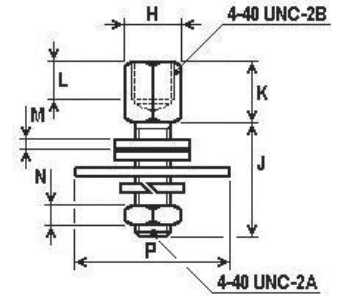
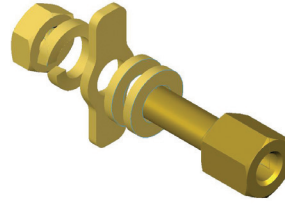
# 3401-022 Accessories / Screwlocks

## Section 2 – Specific Female Screwlock for use with Backshell on harness

Specific version for use with backshell on harness

1 Kit consists of:

- 1 screwlock
- 2 washers
- 1 specific washer
- 1 lock washer
- 1 nut



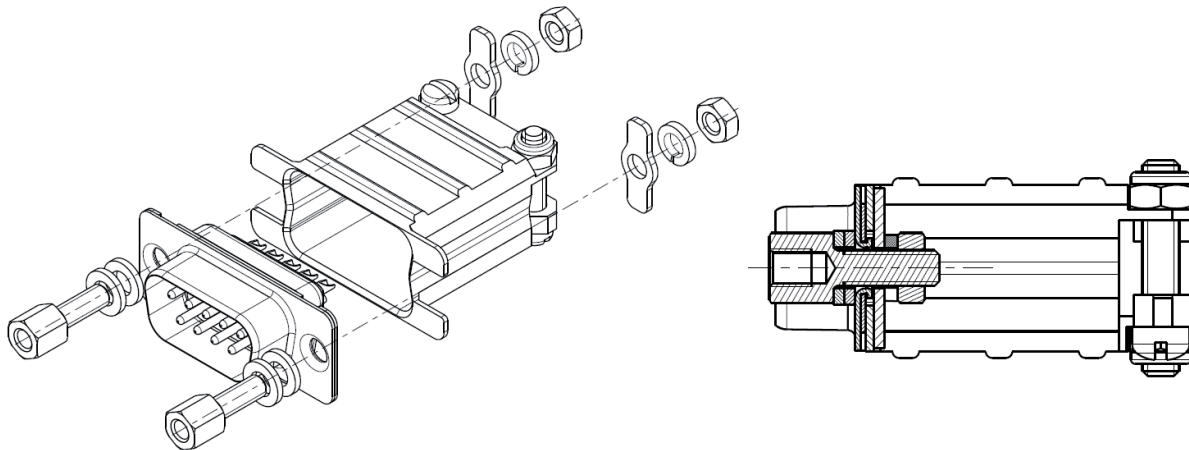
Max weight (grams): 2.1 (1 piece)

ESA/ESCC 3401 Variant	Application	H ± 0,05 (.002)	J ± 0,15 (.006)	K ± 0,05 (.002)	L min	M ± 0,05 (.002)	N ± 0,10 (.004)	P ± 0,15 (.006)
97	With Backshell	4,57 (.180)	7,92 (.312)	4,85 (.191)	3,18 (.125)	0,80 (.031)	2,10 (.083)	12,00 (.472)

### Female Screwlock Cross References

Application	Material	ESA/ESCC Quality Level		FR022 Quality Level	
		Description	Part Number	Description	Part Number
With Backshell	Brass	340102297B	C115366-2416C	D115440-0201-FR022	C115440-0201

Mounting method for female version on Backshell:



# 3401-022 Accessories / Screwlocks

## Section 3 – Standard Male Screwlock

1 Kit consists of:

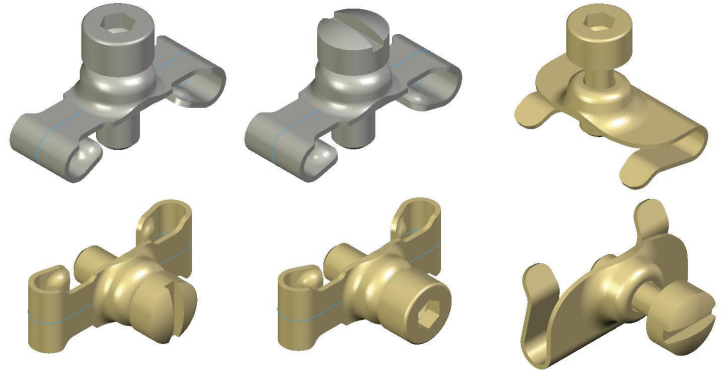
- 1 screw
- 1 clip

Max weight (grams):

- 0.9 for sizes E, A, B, C (1 piece)
- 1.0 for size D, F (1 piece)

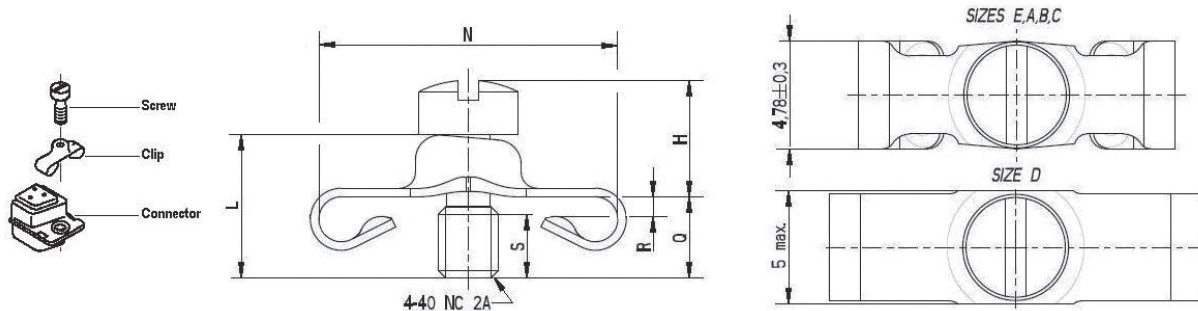
Dimension S: 2,80 (.110) min

Dimension D: 2,05 (.081) ± 0,03 (.001)



ESA/ESCC Variant	Application	Backshell	H max	L ± 0,25 (.010)	N ± 0,25 (.010)	Q ± 0,38 (.015)	R ± 0,10 (.004)
02 / 49 / 65 / 73	E, A Pin / E, A, B, C Skt	Without	5,53 (.218)	6,35 (.250)	13,34 (.525)	3,60 (.142)	0,85 (.033)
03 / 50 / 66 / 74	B, C Pin	Without	5,53 (.218)	6,35 (.250)	13,34 (.525)	3,60 (.142)	1,05 (.041)
04 / 51 / 67 / 75	D Skt	Without	5,53 (.218)	6,35 (.250)	15,88 (.625)	3,60 (.142)	0,85 (.033)
05 / 52 / 68 / 76	D Pin	Without	5,53 (.218)	6,35 (.250)	15,88 (.625)	3,60 (.142)	1,05 (.041)
44 / 54 / 69 / 77	E, A Pin / E, A, B, C Skt	With	5,53 (.218)	7,14 (.281)	13,34 (.525)	4,40 (.173)	1,85 (.073)
45 / 55 / 70 / 78	B, C Pin	With	5,53 (.218)	7,14 (.281)	13,34 (.525)	4,40 (.173)	2,10 (.083)
46 / 56 / 71 / 79	D Skt	With	5,53 (.218)	7,14 (.281)	15,88 (.625)	4,40 (.173)	1,85 (.073)
47 / 57 / 72 / 80	D Pin	With	5,53 (.218)	7,14 (.281)	15,88 (.625)	4,40 (.173)	2,10 (.083)
86 / 88	F Pin / Skt (See Note 1)	Without	5,53 (.218)	6,35 (.250)	12,55 (.494)	3,60 (.142)	0,80 (.051)
87 / 89	F Pin / Skt (See Note 1)	With	5,53 (.218)	7,14 (.281)	12,55 (.494)	4,40 (.173)	1,40 (.055)

## Male Screwlock Cross References (Slotted Head)



Without Backshell / Slotted Head Screw

Application	Material	ESA/ESCC Quality Level		FR022 Quality Level	
		Description	Part Number	Description	Part Number
E, A Pin / E, A, B, C Skt	Brass	340102202B NMB	C020419-0074C	D115419-0074-FR022	C115419-0074
B, C Pin	Brass	340102203B NMB	C020419-0048C	D115419-0048-FR022	C115419-0048
D Skt	Brass	340102204B NMB	C020420-0067C	D115420-0067-FR022	C115420-0067
D Pin	Brass	340102205B NMB	C020420-0049C	D115420-0049-FR022	C115420-0049
E, A Pin / E, A, B, C Skt	Stainless Steel	340102249B	C115419-1000C	D115419-1000-FR022	C115419-1000
B, C Pin	Stainless Steel	340102250B	C115419-1001C	D115419-1001-FR022	C115419-1001
D Skt	Stainless Steel	340102251B	C115420-1000C	D115420-1000-FR022	C115420-1000
D Pin	Stainless Steel	340102252B	C115420-1001C	D115420-1001-FR022	C115420-1001



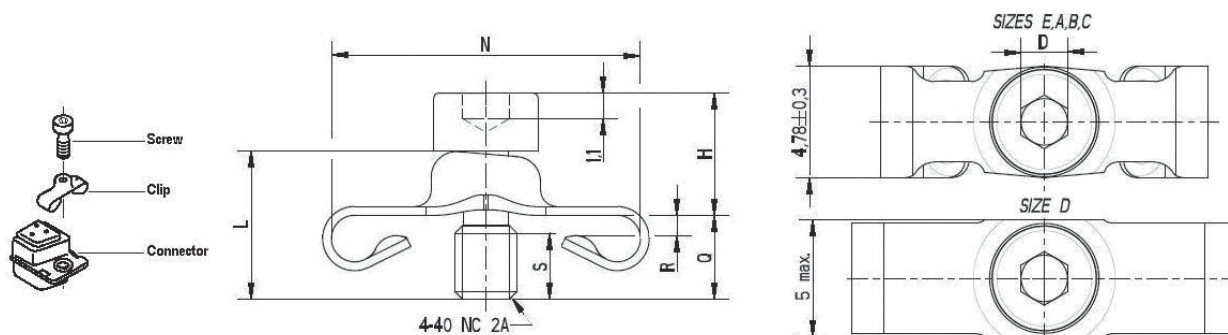
Dimensions are shown in mm (inch)  
Dimensions subject to change

# 3401-022 Accessories / Screwlocks

## With Backshell / Slotted Head Screw

Application	Material	ESA/ESCC Quality Level		FR022 Quality Level	
		Description	Part Number	Description	Part Number
E, A Pin / E, A, B, C Skt	Brass	340102244B NMB	C020419-0073C	D115419-0073-FR022	C115419-0073
B, C Pin	Brass	340102245B NMB	C020419-0084C	D115419-0084-FR022	C115419-0084
D Skt	Brass	340102246B NMB	C020420-0063C	D115420-0063-FR022	C115420-0063
D Pin	Brass	340102247B NMB	C020420-0088C	D115420-0088-FR022	C115420-0088
E, A Pin / E, A, B, C Skt	Stainless Steel	340102254B	C115419-1002C	D115419-1002-FR022	C115419-1002
B, C Pin	Stainless Steel	340102255B	C115419-1003C	D115419-1003-FR022	C115419-1003
D Skt	Stainless Steel	340102256B	C115420-1002C	D115420-1002-FR022	C115420-1002
D Pin	Stainless Steel	340102257B	C115420-1003C	D115420-1003-FR022	C115420-1003

## Male Screwlock Cross References (Hexagonal Hole Head)



## Without Backshell / Hexagonal Hole Head Screw

Application	Material	ESA/ESCC Quality Level		FR022 Quality Level	
		Description	Part Number	Description	Part Number
E, A Pin / E, A, B, C Skt	Brass	340102265B NMB	C115419-0100C	D115419-0100-FR022	C115419-0100
B, C Pin	Brass	340102266B NMB	C115419-0101C	D115419-0101-FR022	C115419-0101
D Skt	Brass	340102267B NMB	C115420-0100C	D115420-0100-FR022	C115420-0100
D Pin	Brass	340102268B NMB	C115420-0101C	D115420-0101-FR022	C115420-0101
E, A Pin / E, A, B, C Skt	Stainless Steel	340102273B	C115419-1004C	D115419-1004-FR022	C115419-1004
B, C Pin	Stainless Steel	340102274B	C115419-1005C	D115419-1005-FR022	C115419-1005
D Skt	Stainless Steel	340102275B	C115420-1004C	D115420-1004-FR022	C115420-1004
D Pin	Stainless Steel	340102276B	C115420-1005C	D115420-1005-FR022	C115420-1005

## With Backshell / Hexagonal Hole Head Screw

Application	Material	ESA/ESCC Quality Level		FR022 Quality Level	
		Description	Part Number	Description	Part Number
E, A Pin / E, A, B, C Skt	Brass	340102269B NMB	C115419-0102C	D115419-0102-FR022	C115419-0102
B, C Pin	Brass	340102270B NMB	C115419-0103C	D115419-0103-FR022	C115419-0103
D Skt	Brass	340102271B NMB	C115420-0102C	D115420-0102-FR022	C115420-0102
D Pin	Brass	340102272B NMB	C115420-0103C	D115420-0103-FR022	C115420-0103
E, A Pin / E, A, B, C Skt	Stainless Steel	340102277B	C115419-1006C	D115419-1006-FR022	C115419-1006
B, C Pin	Stainless Steel	340102278B	C115419-1007C	D115419-1007-FR022	C115419-1007
D Skt	Stainless Steel	340102279B	C115420-1006C	D115420-1006-FR022	C115420-1006
D Pin	Stainless Steel	340102280B	C115420-1007C	D115420-1007-FR022	C115420-1007

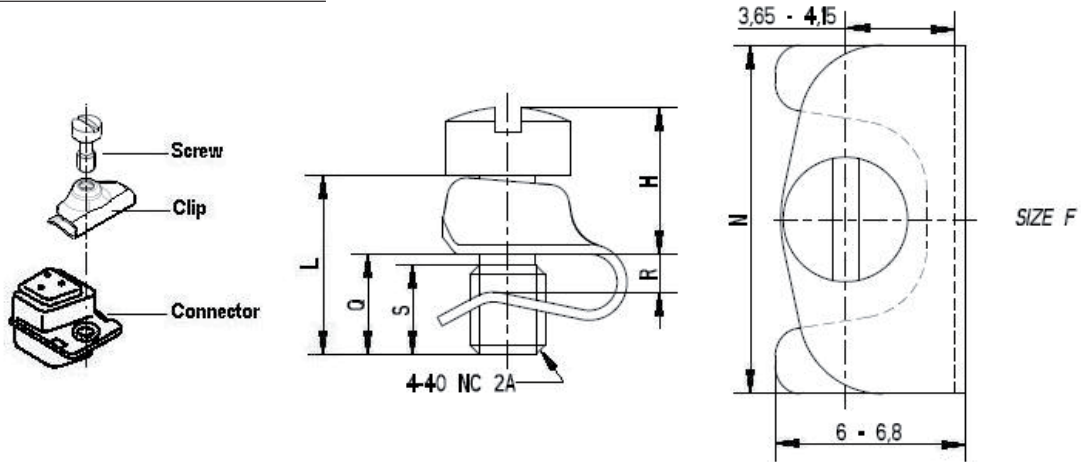


Dimensions are shown in mm (inch)  
Dimensions subject to change

# 3401-022 Accessories / Screwlocks

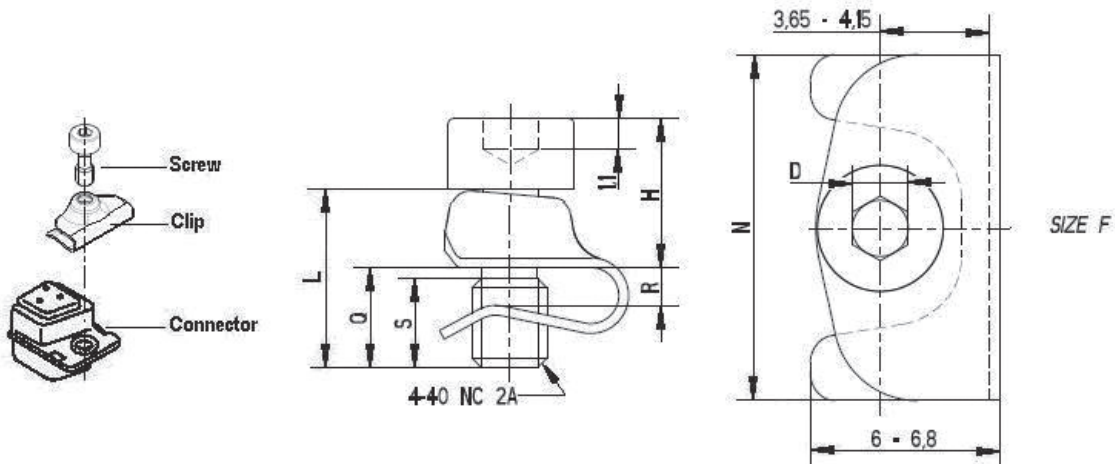
## Section 4 – Universal Male Screwlock (Slotted and Hexagonal Hole Head Screw)

With or Without Backshell / Slotted Head Screw



Application	Material	ESA/ESCC Quality Level		FR022 Quality Level	
		Description	Part Number	Description	Part Number
Pin, Skt Without Backshell	Brass	340102286B NMB	C115366-2407C	D115440-0164-FR022	C115440-0164A
Pin, Skt With Backshell	Brass	340102287B NMB	C115366-2408C	D115440-0165-FR022	C115440-0165A

With or With



Application	Material	ESA/ESCC Quality Level		FR022 Quality Level	
		Description	Part Number	Description	Part Number
Pin, Skt Without Backshell	Brass	340102288B NMB	C115366-2409C	D115440-0166-FR022	C115440-0166A
Pin, Skt With Backshell	Brass	340102289B NMB	C115366-2410C	D115440-0167-FR022	C115440-0167A

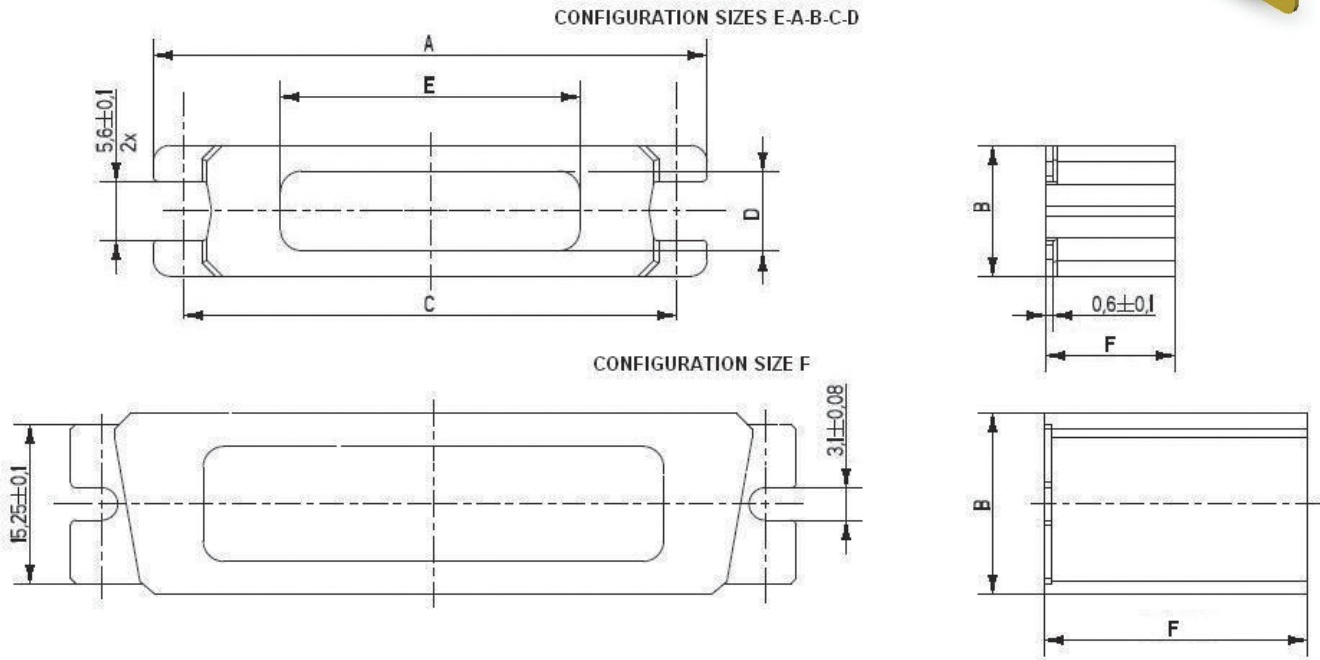
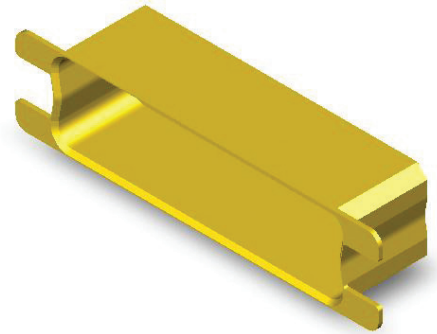
Note 1: The variants 86 to 89 are designed to replace the standard Male Screwlock, see cross references on table:

Standard versions Variants	Application	Equivalent Universal versions Variants	Equivalent Universal versions Screw Type
02 - 03 - 04 - 05	E, A, B, C, D, F Pin and Skt Without Backshell	86	Slotted Head
44 - 45 - 46 - 47	E, A, B, C, D, F Pin and Skt With Backshell	87	Slotted Head
65 - 66 - 67 - 68	E, A, B, C, D, F Pin and Skt Without Backshell	88	Hexagonal Hole Head
69 - 70 - 71 - 72	E, A, B, C, D, F Pin and Skt With Backshell	89	Hexagonal Hole Head

## Potting Shell (rear open)

Max weight (grams):  
N.A. (not on board)

Packaging unit: 1 piece (plastic bag)  
Residual magnetism level NMB (200 Gamma max)



Shell Size	ESA/ESCC Variant	CONFIGURATION SIZES E-A-B-C-D					
		A ± 0,38 (.015)	B ± 0,38 (.015)	C ± 0,13 (.005)	D ± 0,50 (.020)	E ± 0,50 (.020)	F ± 0,38 (.015)
E	81	30,70 (1.208)	12,70 (.500)	24,99 (.984)	7,60 (.300)	9,00 (.354)	12,30 (.484)
A	17	38,89 (1.531)	12,70 (.500)	33,32 (1.312)	7,60 (.300)	14,92 (.587)	12,30 (.484)
B	18	52,78 (2.078)	12,70 (.500)	47,04 (1.852)	7,60 (.300)	28,54 (1.124)	12,30 (.484)
C	19	69,04 (2.718)	12,70 (.500)	63,50 (2.500)	7,60 (.300)	44,47 (1.751)	12,30 (.484)
D	20	66,67 (2.625)	15,47 (.609)	61,12 (2.406)	9,90 (.390)	44,47 (1.751)	12,30 (.484)
F	90	69,22 (2.725)	17,47 (.688)	63,50 (2.500)	11,00 (.433)	44,00 (1.732)	25,00 (.984)

### Cross References

Type	Size	ESA/ESCC Quality Level		FR022 Quality Level	
		Description	Part Number	Description	Part Number
Potting shell	E	340102281B NMB	C115366-2274C	DE115366-2274	C115366-2274A
	A	340102217B NMB	C115366-2275C	DA115366-2275	C115366-2275A
	B	340102218B NMB	C115366-2276C	DB115366-2276	C115366-2276A
	C	340102219B NMB	C115366-2277C	DC115366-2277	C115366-2277A
	D	340102220B NMB	C115366-2278C	DD115366-2278	C115366-2278A
	F	340102290B NMB	C115366-2401C	DF115366-2401	C115366-2401A

# 3401-022 Accessories / Backshells

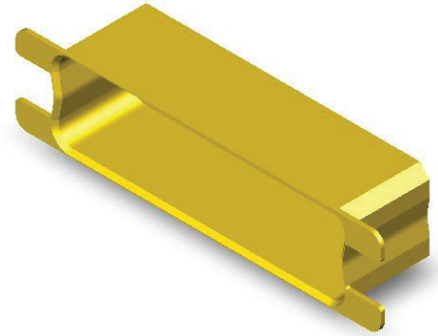
## Switching Shell (rear closed)

Max weight (grams)

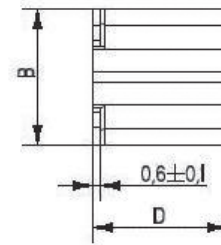
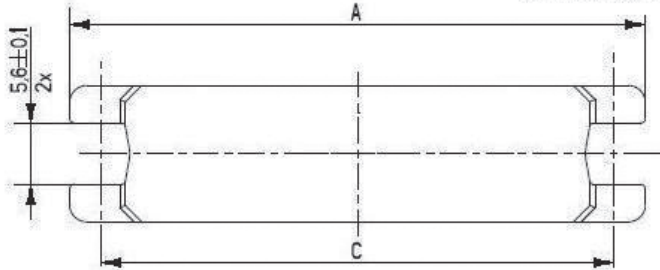
- Size E: 6,7
- Size A: 8,6
- Size B: 11,8
- Size C: 15,5
- Size D: 17,1
- Size F: 36,0

Packaging unit: 1 piece (plastic bag)

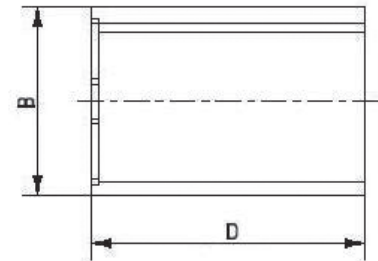
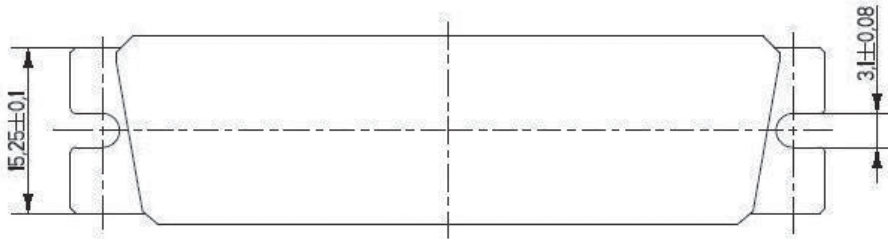
Residual magnetism level NMB (200 Gamma max)



CONFIGURATION SIZES E-A-B-C-D



CONFIGURATION SIZE F



Shell Size	ESA/ESCC Variant	CONFIGURATION SIZES E-A-B-C-D		CONFIGURATION SIZE F	
		A ± 0,38 (.015)	B ± 0,38 (.015)	C ± 0,13 (.005)	D ± 0,38 (.015)
E	82	30,70 (1.208)	12,70 (.500)	24,99 (.984)	12,30 (.484)
A	21	38,89 (1.531)	12,70 (.500)	33,32 (1.312)	12,30 (.484)
B	22	52,78 (2.078)	12,70 (.500)	47,04 (1.852)	12,30 (.484)
C	23	69,04 (2.718)	12,70 (.500)	63,50 (2.500)	12,30 (.484)
D	24	66,67 (2.625)	15,47 (.609)	61,12 (2.406)	12,30 (.484)
F	91	69,22 (2.725)	17,47 (.688)	63,50 (2.500)	25,00 (.984)

### Cross References

Type	Size	ESA/ESCC Quality Level		FR022 Quality Level	
		Description	Part Number	Description	Part Number
Switching shell	E	340102282B NMB	C115366-2279C	DE115366-2279	C115366-2279A
	A	340102221B NMB	C115366-2280C	DA115366-2280	C115366-2280A
	B	340102222B NMB	C115366-2281C	DB115366-2281	C115366-2281A
	C	340102223B NMB	C115366-2282C	DC115366-2282	C115366-2282A
	D	340102224B NMB	C115366-2283C	DD115366-2283	C115366-2283A
	F	340102291B NMB	C115366-2402C	DF115366-2402	C115366-2402A



Dimensions are shown in mm (inch)  
Dimensions subject to change



## Straight Clamp

Max weight (grams):

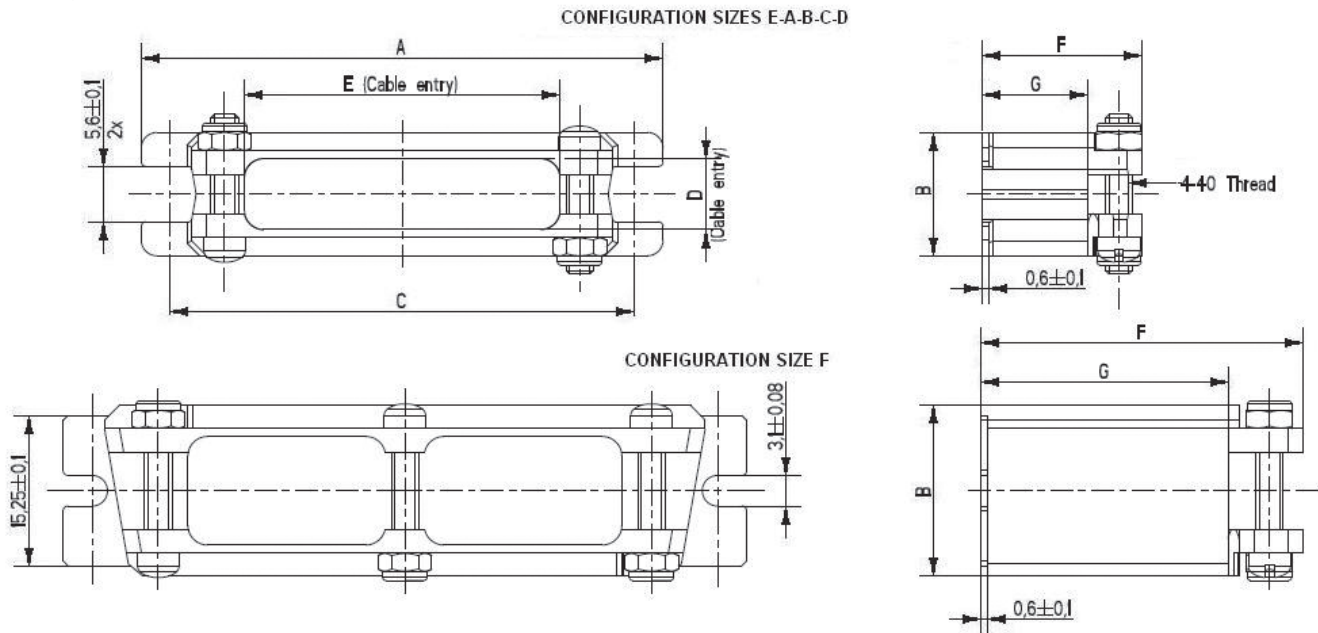
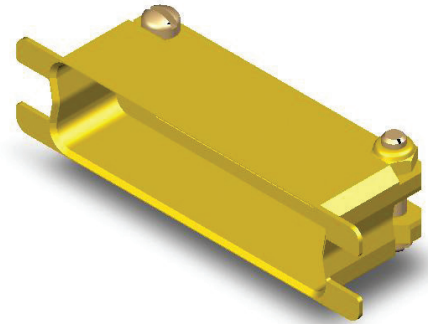
Size E: 9,0  
 Size A: 11,7  
 Size B: 14,7  
 Size C: 20  
 Size D: 21,2  
 Size F: 42.0

Number of screws:

2 for E, A and B sizes  
 3 for C, D and F sizes

Packaging unit: 1 piece (plastic bag)

Residual magnetism level NMB (200 Gamma max)



Shell Size	ESA/ESCC Variant	A ± 0,38 (.015)	B ± 0,38 (.015)	C ± 0,13 (.005)	D ± 0,38 (.015)	E ± 0,38 (.015)	F ± 0,38 (.015)	G ± 0,38 (.015)
E	83	30,70 (1.208)	12,70 (.500)	24,99 (.984)	7,50 (.295)	11,00 (.433)	16,20 (.638)	10,70 (.421)
A	25	38,89 (1.531)	12,70 (.500)	33,32 (1.312)	7,50 (.295)	19,00 (.748)	16,20 (.638)	10,70 (.421)
B	26	52,78 (2.078)	12,70 (.500)	47,04 (1.852)	7,50 (.295)	32,00 (1.260)	16,20 (.638)	10,70 (.421)
C	27	69,04 (2.718)	12,70 (.500)	63,50 (2.500)	7,50 (.295)	48,00 (1.890)	16,20 (.638)	10,70 (.421)
D	28	66,67 (2.625)	15,47 (.609)	61,12 (2.406)	9,88 (.389)	46,00 (1.811)	17,80 (.700)	12,30 (.484)
F	92	69,22 (2.725)	17,47 (.688)	63,50 (2.500)	11,00 (.433)	44,00 (1.732)	32,50 (1.279)	25,00 (.984)

## Cross References

Type	Size	ESA/ESCC Quality Level		FR022 Quality Level	
		Description	Part Number	Description	Part Number
Straight clamp	E	340102283B NMB	C115366-2284C	DE115366-2284	C115366-2284A
	A	340102225B NMB	C115366-2285C	DA115366-2285	C115366-2285A
	B	340102226B NMB	C115366-2286C	DB115366-2286	C115366-2286A
	C	340102227B NMB	C115366-2287C	DC115366-2287	C115366-2287A
	D	340102228B NMB	C115366-2288C	DD115366-2288	C115366-2288A
	F	340102292B NMB	C115366-2403C	DF115366-2403	C115366-2403A

# 3401-022 Accessories / Backshells

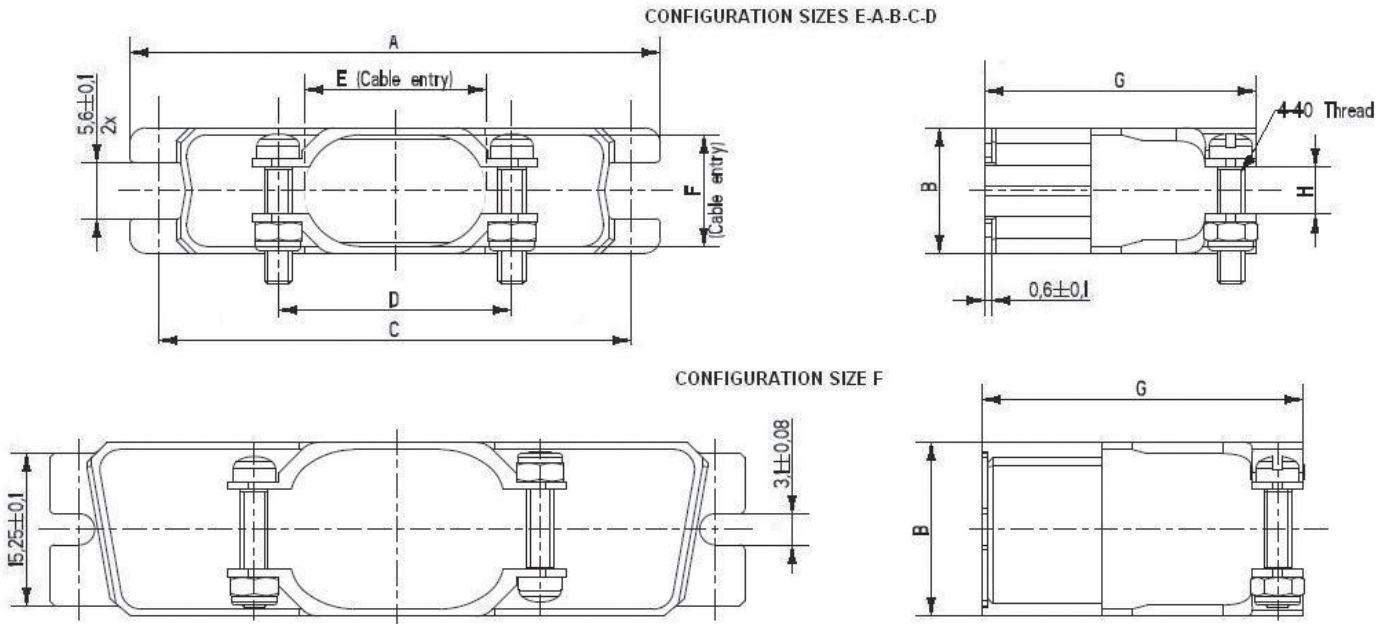
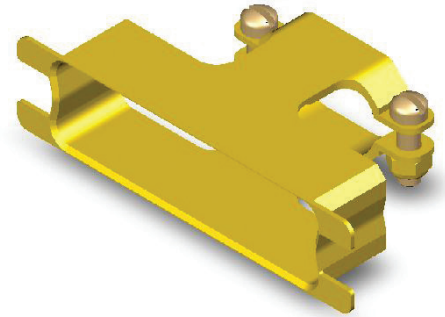
## Round Clamp

Max weight (grams):

- Size E: 9,7
- Size A: 11,0
- Size B: 13,3
- Size C: 15,6
- Size D: 16,5
- Size F: 21,0

Packaging unit: 1 piece (plastic bag)

Residual magnetism level NMB (200 Gamma max)



Shell Size	ESA/ESCC Variant	A	B	C	D	E	F	G	H
		± 0,38 (.015)	± 0,38 (.015)	± 0,13 (.005)	± 0,38 (.015)	± 0,38 (.015)	± 0,38 (.015)	± 0,38 (.015)	± 0,13 (.005)
E	29	30,70 (1.208)	12,70 (.500)	24,99 (.984)	17,80 (.701)	10,50 (.413)	10,50 (.413)	26,20 (1.031)	3,20 (.126)
A	30	38,89 (1.531)	12,70 (.500)	33,32 (1.312)	17,80 (.701)	11,10 (.437)	11,10 (.437)	26,20 (1.031)	3,20 (.126)
B	31	52,78 (2.078)	12,70 (.500)	47,04 (1.852)	23,30 (.917)	18,10 (.713)	11,10 (.437)	27,00 (1.063)	4,70 (.185)
C	32	69,04 (2.718)	12,70 (.500)	63,50 (2.500)	29,70 (1.169)	25,10 (.988)	11,10 (.437)	27,00 (1.063)	6,30 (.248)
D	33	66,67 (2.625)	15,47 (.609)	61,12 (2.406)	30,90 (1.217)	26,90 (1.059)	13,90 (.547)	27,00 (1.063)	7,90 (.311)
F	93	69,22 (2.725)	17,47 (.688)	63,50 (2.500)	28,50 (1.122)	23,30 (.917)	15,90 (.626)	32,00 (1.260)	7,90 (.311)

## Cross References

Type	Size	ESA/ESCC Quality Level		FR022 Quality Level	
		Description	Part Number	Description	Part Number
Round clamp	E	340102229B NMB	C115366-2289C	DE115366-2289	C115366-2289A
	A	340102230B NMB	C115366-2290C	DA115366-2290	C115366-2290A
	B	340102231B NMB	C115366-2291C	DB115366-2291	C115366-2291A
	C	340102232B NMB	C115366-2292C	DC115366-2292	C115366-2292A
	D	340102233B NMB	C115366-2293C	DD115366-2293	C115366-2293A
	F	340102293B NMB	C115366-2404C	DF115366-2404	C115366-2404A



Dimensions are shown in mm (inch)  
Dimensions subject to change

## Deep Straight Clamp

Max weight (grams):

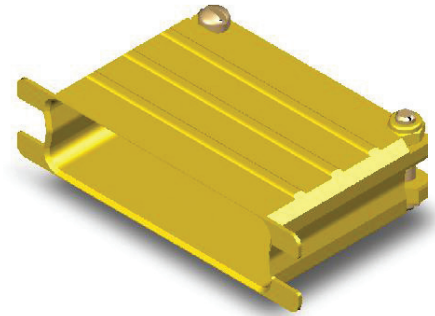
Size E: 13,6  
 Size A: 17,2  
 Size B: 27,1  
 Size C: 39,0  
 Size D: 40,8  
 Size F: 58,0

Number of screws:

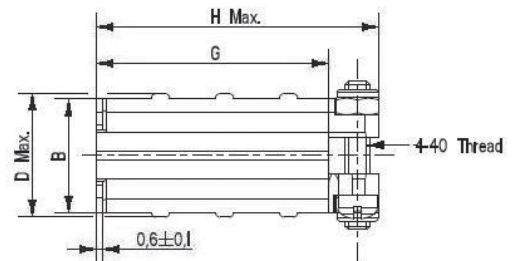
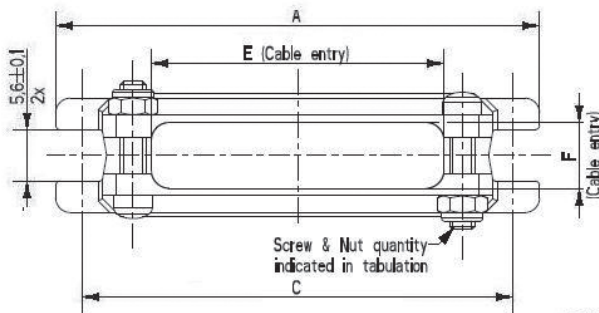
2 for E, A and B sizes  
 3 for C, D and F sizes

Packaging unit: 1 piece (plastic bag)

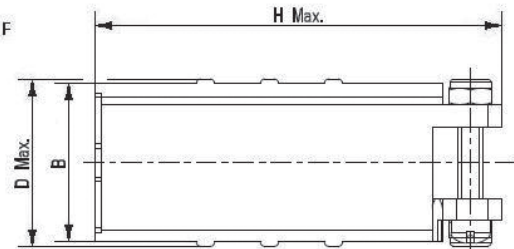
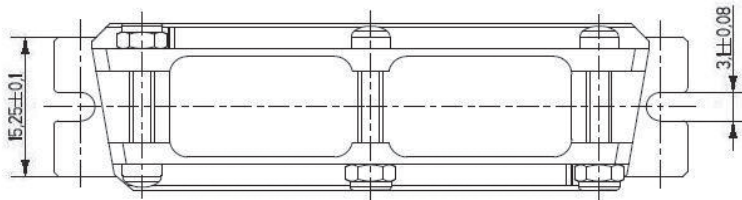
Residual magnetism level NMB (200 Gamma max)



CONFIGURATION SIZES E-A-B-C-D



CONFIGURATION SIZE F



Shell Size	ESA/ESCC Variant	A ± 0,38 (.015)	B ± 0,38 (.015)	C ± 0,13 (.005)	D Max.	E ± 0,38 (.015)	F ± 0,38 (.015)	G ± 0,38 (.015)	H Max.
E	34	30,70 (1.208)	12,70 (.500)	24,99 (.984)	14,70 (.579)	11,00 (.433)	7,50 (.295)	19 (.748)	31,70 (1.248)
A	35	38,89 (1.531)	12,70 (.500)	33,32 (1.312)	14,70 (.579)	19,00 (.748)	7,50 (.295)	19 (.748)	31,70 (1.248)
B	36	52,78 (2.078)	12,70 (.500)	47,04 (1.852)	14,70 (.579)	32,00 (1.260)	7,50 (.295)	25,40 (1.000)	39,70 (1.563)
C	37	69,04 (2.718)	12,70 (.500)	63,50 (2.500)	14,70 (.579)	48,00 (1.890)	7,50 (.295)	25,40 (1.000)	39,70 (1.563)
D	38	66,67 (2.625)	15,47 (.609)	61,12 (2.406)	17,40 (.685)	46,00 (1.811)	9,90 (.390)	28,60 (1.126)	42,90 (1.689)
F	94	69,22 (2.725)	17,47 (.688)	63,50 (2.500)	19,40 (.764)	44,00 (1.732)	11,00 (.433)	36,80 (1.449)	53,20 (2.094)

### Cross References

Type	Size	ESA/ESCC Quality Level		FR022 Quality Level	
		Description	Part Number	Description	Part Number
Deep, straight clamp	E	340102234B NMB	C115366-2294C	DE115366-2294	C115366-2294A
	A	340102235B NMB	C115366-2295C	DA115366-2295	C115366-2295A
	B	340102236B NMB	C115366-2296C	DB115366-2296	C115366-2296A
	C	340102237B NMB	C115366-2297C	DC115366-2297	C115366-2297A
	D	340102238B NMB	C115366-2298C	DD115366-2298	C115366-2298A
	F	340102294B NMB	C115366-2405C	DF115366-2405	C115366-2405A



Dimensions are shown in mm (inch)  
 Dimensions subject to change

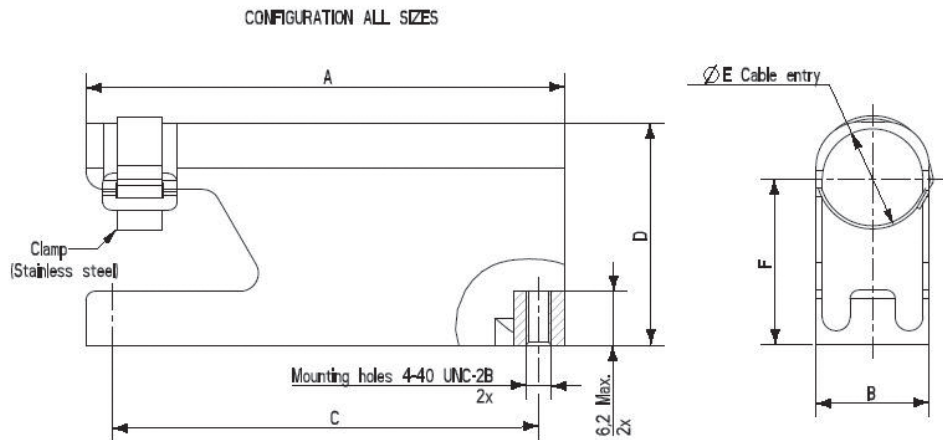
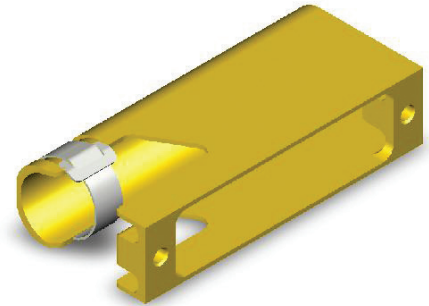
# 3401-022 Accessories / Backshells

## 90° Entry

Max weight (grams):

Size E: 14,6  
 Size A: 17,2  
 Size B: 24,2  
 Size C: 33,5  
 Size D: 38,8  
 Size F: 48,0

Packaging unit: 1 piece with 1 clamp (plastic bag)  
 Residual magnetism level NMB (200 Gamma max)



Shell Size	ESA/ESCC Variant	A ± 0,38 (.015)	B ± 0,38 (.015)	C ± 0,13 (.005)	D ± 0,50 (.020)	E ± 0,50 (.020)	F ± 0,38 (.015)
E	39	30,70 (1.208)	12,70 (.500)	24,99 (.984)	18,20 (.716)	11,10 (.437)	11,85 (.466)
A	40	38,89 (1.531)	12,70 (.500)	33,32 (1.312)	18,20 (.716)	11,10 (.437)	11,85 (.466)
B	41	52,78 (2.078)	12,70 (.500)	47,04 (1.852)	24,60 (.968)	11,10 (.437)	18,25 (.718)
C	42	69,04 (2.718)	12,70 (.500)	63,50 (2.500)	30,20 (1.189)	11,10 (.437)	23,85 (.939)
D	43	66,67 (2.625)	15,47 (.609)	61,12 (2.406)	31,70 (1.248)	13,90 (.547)	23,95 (.943)
F	95	69,22 (2.725)	17,47 (.688)	63,50 (2.500)	33,00 (1.299)	15,90 (.626)	24,25 (.955)

### Cross References

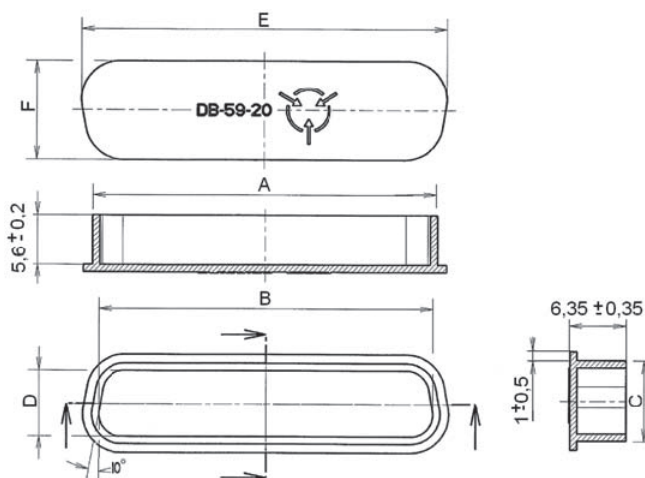
Type	Size	ESA/ESCC Quality Level		FR022 Quality Level	
		Description	Part Number	Description	Part Number
90° entry	E	340102239B NMB	C115366-2299C	DE115366-2299	C115366-2299A
	A	340102240B NMB	C115366-2300C	DA115366-2300	C115366-2300A
	B	340102241B NMB	C115366-2301C	DB115366-2301	C115366-2301A
	C	340102242B NMB	C115366-2302C	DC115366-2302	C115366-2302A
	D	340102243B NMB	C115366-2303C	DD115366-2303	C115366-2303A
	F	340102295B NMB	C115366-2406C	DF115366-2406	C115366-2406A

# 3401-022 Accessories / Dust Caps

## Product Features

Antistatic Dust Caps (black color) supplied with D\*M or D\*MA connectors, for ESA/ESCC quality level.  
Can be ordered separately for FR022/FR023 quality level (packaging unit: 50 pieces in a plastic bag).

## Physical Dimensions



Shell Size	Type	A ± 0,25 (.010)	B ± 0,25 (.010)	C ± 0,25 (.010)	D ± 0,25 (.010)	E max	F max
E	Skt	17,63 (.694)	15,93 (.627)	9,19 (.362)	7,49 (.295)	19,71 (.776)	11,25 (.443)
E	Pin	19,02 (.749)	17,32 (.682)	10,46 (.412)	8,76 (.345)	21,14 (.832)	12,65 (.498)
A	Skt	25,96 (1.022)	24,26 (.955)	9,19 (.362)	7,49 (.295)	28,04 (1.104)	11,25 (.443)
A	Pin	27,36 (1.077)	25,65 (1.010)	10,46 (.412)	8,76 (.345)	29,47 (1.160)	12,65 (.498)
B	Skt	39,67 (1.562)	37,97 (1.495)	9,19 (.362)	7,49 (.295)	41,75 (1.644)	11,25 (.443)
B	Pin	41,53 (1.635)	39,83 (1.568)	10,92 (.430)	9,22 (.363)	43,36 (1.707)	12,85 (.506)
C	Skt	56,13 (2.210)	54,43 (2.143)	9,19 (.362)	7,49 (.295)	58,21 (2.292)	11,25 (.443)
C	Pin	57,99 (2.283)	56,29 (2.216)	10,92 (.430)	9,22 (.363)	59,80 (2.354)	12,85 (.506)
D	Skt	53,75 (2.116)	52,04 (2.049)	12,04 (.474)	10,34 (.407)	55,83 (2.198)	14,10 (.555)
D	Pin	55,35 (2.179)	53,64 (2.112)	13,61 (.536)	11,91 (.469)	57,21 (2.252)	15,70 (.618)
F	Skt	57,30 (2.256)	55,60 (2.189)	13,70 (.539)	12,00 (.472)	59,45 (2.340)	16,00 (.630)
F	Pin	59,20 (2.331)	57,50 (2.264)	15,70 (.618)	14,00 (.551)	61,30 (2.413)	17,90 (.705)

## Cross References

Size	Type	ESA/ESCC Quality Level		FR022 Quality Level	
		Description	Part Number	Description	Part Number
E	Skt	340102207B	C025-8900-001C	DE-59-20	C025-8900-001A
E	Pin	340102208B	C025-8900-000C	DE-60-20	C025-8900-000A
A	Skt	340102209B	C025-8901-001C	DA-59-20	C025-8901-001A
A	Pin	340102210B	C025-8901-000C	DA-60-20	C025-8901-000A
B	Skt	340102211B	C025-8902-001C	DB-59-20	C025-8902-001A
B	Pin	340102212B	C025-8902-000C	DB-60-20	C025-8902-000A
C	Skt	340102213B	C025-8903-001C	DC-59-20	C025-8903-001A
C	Pin	340102214B	C025-8903-000C	DC-60-20	C025-8903-000A
D	Skt	340102215B	C025-8904-001C	DD-59-20	C025-8904-001A
D	Pin	340102216B	C025-8904-000C	DD-60-20	C025-8904-000A
F	Skt	340102284B	C025-8905-001C	DF-59-20	C025-8905-001A
F	Pin	340102285B	C025-8905-000C	DF-60-20	C025-8905-000A