

KMR6 Series

Micro Miniature Tactile Switch for SMT
4.6 x 2.8 mm, with 1.9 mm Height Actuator



Description

The KMR6 series microminiature SMT top actuated switch is IP67 rated with ultra-low current capabilities. Its long-life and excellent tactile feel make it ideal for industrial, medical and automotive applications that need to dependably operate under the harshest of conditions.

Features & Benefits

- Watertight IP67
- Standard and long life versions
- No ground pin
- Ultra low current capabilities
- Excellent tactile feel

Applications

- Transportation
- Medical
- Consumer
- Industrial

Specifications

Function	Momentary action
Contact Arrangement	1 make contact = SPST, N.O.
Terminals	Gullwing type for SMT
Tactile Feeling	KMR 6 series with actuation force in 2N - 3N - 4N: $\geq 25\%$ KMR 6 series with actuation force in 1.2N: $\geq 20\%$
Packaging	In reels of 7,000 pieces. External diameter 330 mm \pm 2mm

Electrical Characteristics

	Silver	Gold
Max. Power	1 VA	0.2 VA
Max. Voltage	32 VDC	32 VDC
Min. Voltage	20 mVDC	20 mVDC
Max. Current	50 mA	10 mA
Min. Current	1 mA ¹	1 mA ¹
Dielectric Strength	≥ 250 Vrms	
Contact Resistance	≤ 100 m Ω	
Insulation Resistance	≥ 1 G Ω	
Bounce Time	≤ 3 ms	

Environmental Characteristics

Operating Temperature	-40°C to 85°C	-40°C to 125°C
Storage Temperature	-55°C to 85°C	-55°C to 125°C

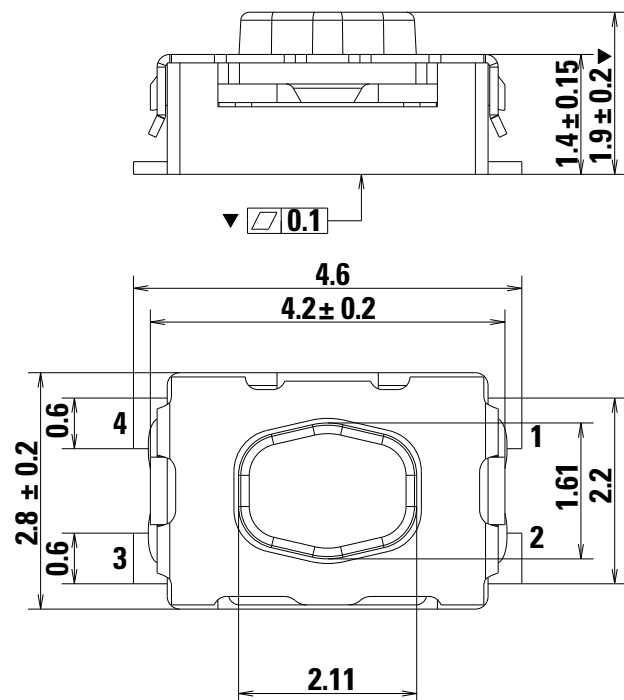
Process

Soldering	Lead free reflow soldering process in accordance with IEC 61760-1.
------------------	--

Notes:

- For ULC version minimum current is 1 μ A at 1.8 VDC
- Specifications listed above are for switches with standard options. For information on specific and custom switches, consult Customer Service Center.

NG - No Ground Pin



KMR6 Series

Micro Miniature Tactile Switch for SMT
4.6 x 2.8 mm, with 1.9 mm Height Actuator

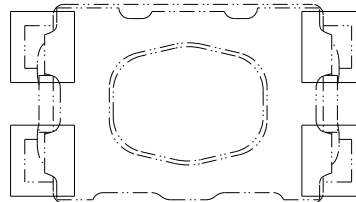
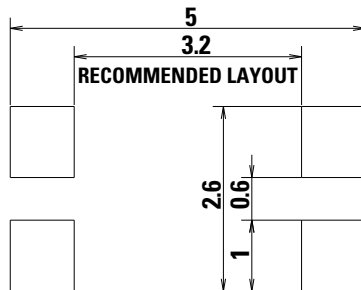
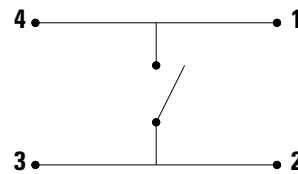


Mechanical Characteristics

Type NG	Operation Force N (grs)	Operating Life (cycles)	Travel (mm)
KMR611NG LFS KMR611NG ULC LFS	1.2 (120) ± 0.30	200,000	0.20 mm ± 0.1
KMR613NG LFG KMR613NG ULC LFG	1.2 (120) ± 0.30	200,000	
KMR621NG LFS KMR621NG ULC LFS	2.0 (200) ± 0.50	200,000	0.25 mm ± 0.1
KMR623NG LFG KMR623NG ULC LFG	2.0 (200) ± 0.50	200,000	
KMR631NG LFS KMR631NG ULC LFS	3.0 (300) ± 0.75	150,000	
KMR632NG LFS KMR632NG ULC LFS	3.0 (300) ± 0.75	300,000	
KMR633NG LFG KMR633NG ULC LFG	3.0 (300) ± 0.75	150,000	
KMR641NG LFS KMR641NG ULC LFS	4.0 (400) ± 1.00	100,000	
KMR642NG LFS KMR642NG ULC LFS	4.0 (400) ± 1.00	200,000	
KMR643NG LFG KMR643NG ULC LFG	4.0 (400) ± 1.00	100,000	

NG - No Ground Pin

ELECTRICAL DIAGRAM

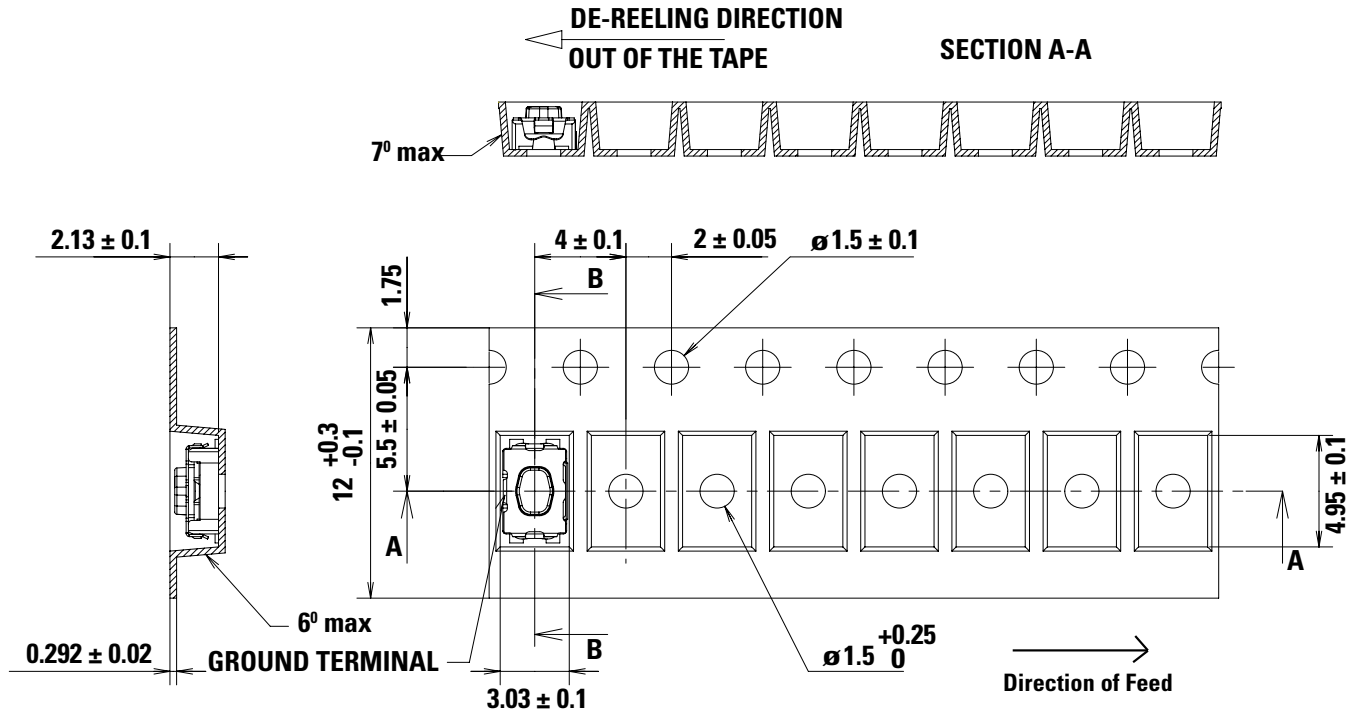


KMR6 Series

Micro Miniature Tactile Switch for SMT
4.6 x 2.8 mm, with 1.9 mm Height Actuator



Tape & Reel



Ordering Number

For any part number different from those listed above, please consult your local representative.

KMR - 6 - X - X - X - XXX - XXX

Total Height
6: 1.9 mm

Actuation Force
1: 1.2 N (120 grams)
2: 2 N (200 grams)
3: 3 N (300 grams)
4: 4 N (400 grams)

Contact Material
1: Silver
2: Silver long life¹
3: Gold

LFS: Lead free compatible, silver plated
LFG: Lead free compatible, gold plated

Low Current capability
Void: Under standard specification
ULC: Low current

Grounding Option
NG: No Ground Pin

Notes:

1. Silver long life is available in 3N and 4N actuation force. For other versions, please contact Customer Service.

Liability Limitation

This datasheet does not provide enough information for applications that require a certain level of quality or safety such as automotive, medical systems, or safety equipment. Please contact customer service for the contractual specification package.

Disclaimer Notice - Information furnished is believed to be accurate and reliable. However, users should independently evaluate the suitability of and test each product selected for their own applications. Littelfuse products are not designed for, and may not be used in, all applications. Read complete Disclaimer Notice at <http://www.littelfuse.com/disclaimer-electronics>.