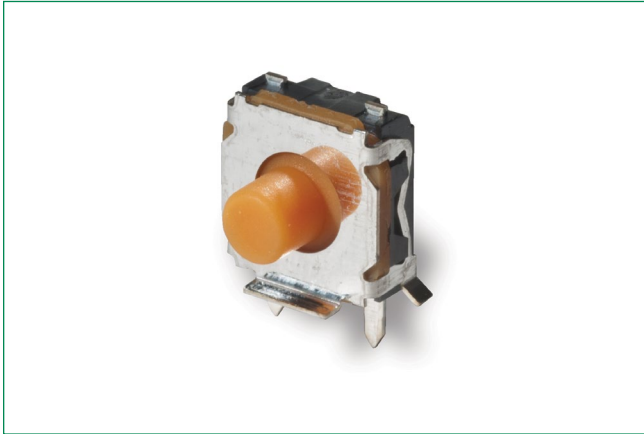


# KSC V2 Series

Side Actuated Sealed Tactile Switch 6.2 x 6.5 mm, with 2.3 or 3.9 mm Height Soft Actuator



## Specifications

<b>Function</b>	Momentary action
<b>Contact Arrangement</b>	1 make contact = SPST, N.O.
<b>Terminals</b>	2 pin in paste terminals and 3 SMD ground terminals
<b>Contact Material</b>	Silver or Gold plated

## Electrical Characteristics

	Silver	Gold
<b>Max. Power</b>	1 VA	0.2 VA
<b>Min. / Max. Voltage</b>	20mV - 32VDC	
<b>Min. / Max. Current</b>	1 - 50 mA	0.1 mA - 10 mA
<b>Dielectric Strength</b>	(50 Hz, 1 min.) $\geq 250$ Vrms	
<b>Contact Resistance</b>	$\leq 100$ m $\Omega$	
<b>Insulation Resistance</b>	(100 V, initial stage): $> 10^9$ $\Omega$	
<b>Bounce Time</b>	$< 1$ ms	

## Environmental Characteristics

	Silver	Gold
<b>Operating Temperature</b>	-40°C to 85°C	-40°C to 125°C
<b>Storage Temperature</b>	-55°C to 85°C	-55°C to 125°C

## Description

The KSC V2 series of side actuated sealed tactile switches feature a unique design that allows for easy side or rocker integration, which permits haptic adaptability and ensures that the switch meets specific tactile feedback and sound requirements. The KSC V2 switches are IP67 rated and feature a soft actuator of 2.3 or 3.9 mm height. They are available with a variety of operating forces and in a range of electrical lifespans, depending on the model - ideal for industrial electronics, network equipment and automotive applications.

## Features & Benefits

- Full SMD side actuated
- Haptic adaptability
- Pin in paste terminations
- Tape & reel
- IP67
- Compatible with lead free reflow soldering process of SMT devices
- Low halogen, RoHS and REACH compliant

## Applications

- Transportation
- Industrial electronics
- Network equipment
- Telecommunications

## Process

<b>Soldering</b>	Depending on the application, this component is suited to the following methods: Cleaning according to typical washing processes. Lead free reflow soldering process in accordance with IEC 61760-1.
<b>Terminals</b>	Pin in paste, silver or gold plated
<b>Top Plate</b>	Tin plated
<b>MSL level:</b>	1
<b>Vacuum Pick Head</b>	Mandatory
<b>Packaging</b>	In reels of 800 pieces Dimensions of reels according to EIA RS481 or IEC 2863. External diameter 380 mm $\pm$ 2 mm.

**Note:** This product is designed and manufactured for general electronic devices. For systems where reliability and safety are required, please contact your sales representative to secure product integration and function to secure usage.

# KSC V2 Series

## Side Actuated Sealed Tactile Switch 6.2 x 6.5 mm, with 2.3 or 3.9 mm Height Soft Actuator



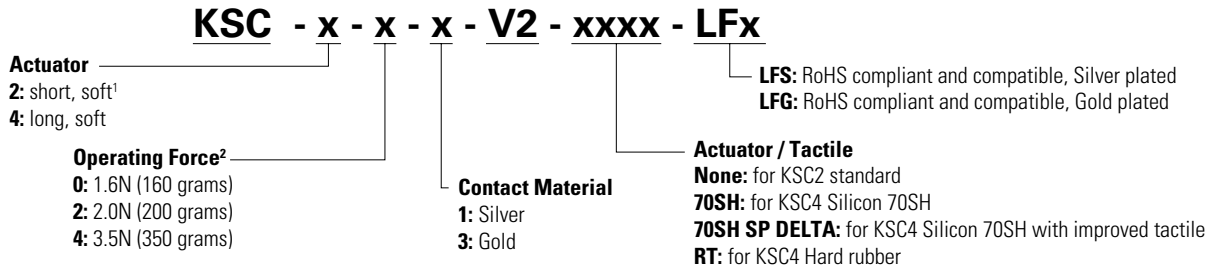
### Mechanical Characteristics

Part #	Force(N)	Operating Life (operations)	Travel (mm)
KSC201 V2 LFS	1.6±0.6	1,000,000	0.3±0.2
KSC421 V2 70SH LFS	1.55±0.45	300,000	0.45±0.25
KSC441V2 70SH SP DELTA LFS	3.5±1.0	300,000	0.7±0.2
KSC443V2 70SH SP DELTA LFG	3.5±1.0	300,000	0.7±0.2
KSC421 V2 RT LFS	1.8±0.5	300,000	0.3±0.2
KSC423 V2 RT LFG	1.8±0.5	300,000	0.3±0.2
KSC441 V2 RT LFS	3.4±1.0	300,000	0.35±0.2

**Notes**  
 1. Other configurations of haptics are available upon demand. MISUSE OVERLOAD: 40N with back support  
 SHEAR FORCE: 10N without back support

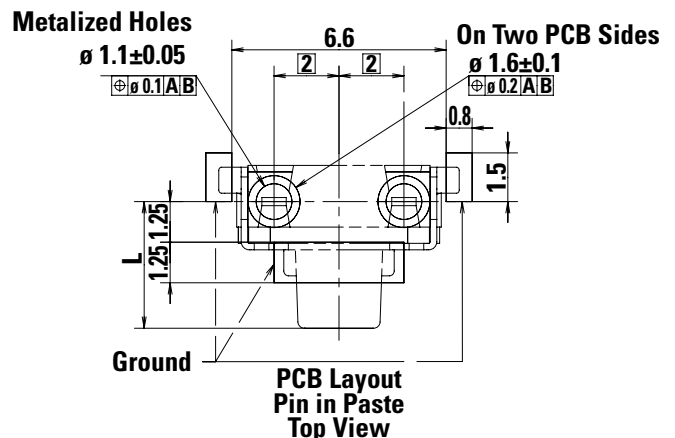
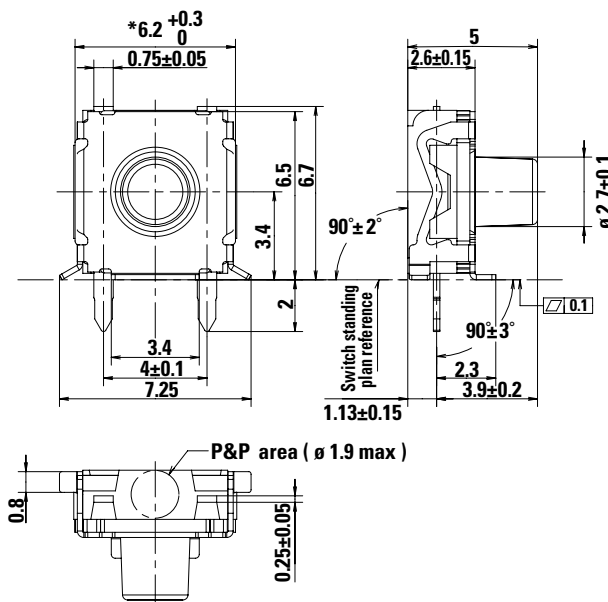
### Ordering Number

Our easy build-a-switch concept allows you to mix and match options to create the switch you need. To order, select desired option from each category and place it in the appropriate box. For any part number different from those listed above, please consult your local representative.



**Notes**  
 1. KSC2 version available upon demand  
 2. Force available upon demand (variant version)

### Dimensions



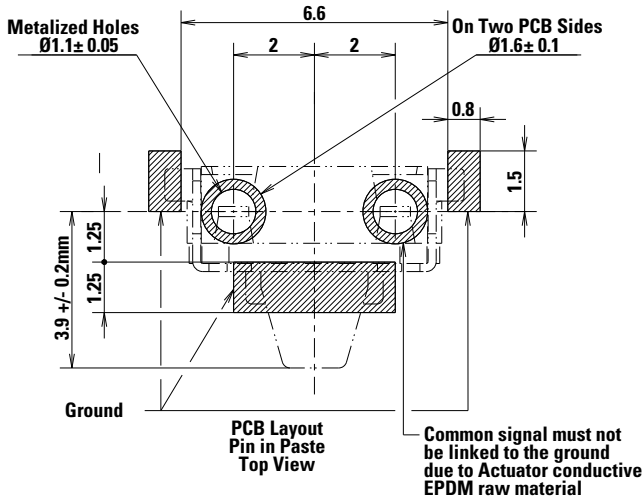
Series	L
KSC2	2.3
KSC4	3.9

# KSC V2 Series

Side Actuated Sealed Tactile Switch 6.2 x 6.5 mm, with 2.3 or 3.9 mm Height Soft Actuator



### Important Note for RT Actuator

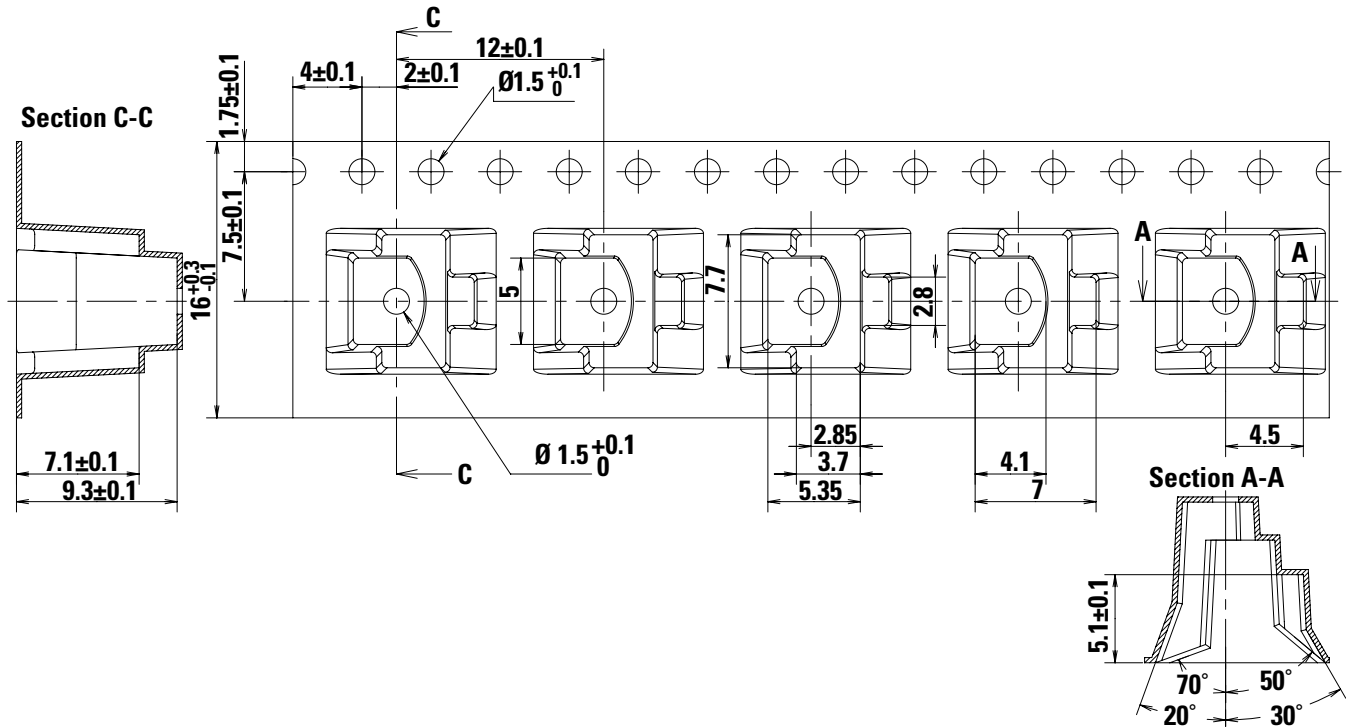


### Integration



**Note:** This actuator is not compatible with grease even with restricted contact. In case of the integration of an actuator or button by the customer, please consult us if use of plasticizer agent for button raw material (risk of chemical migration). Our actuator contains carbon particles and is electrical conductive. In consequence, customer actuator must be electric insulating raw material. Due to the cover raw material plating, small tin balls can appear after the reflow soldering process. These small tin balls are located near all cutting areas.

### Tape and Reel



**Disclaimer Notice** - Information furnished is believed to be accurate and reliable. However, users should independently evaluate the suitability of and test each product selected for their own applications. Littelfuse products are not designed for, and may not be used in, all applications. Read complete Disclaimer Notice at <http://www.littelfuse.com/disclaimer-electronics>.