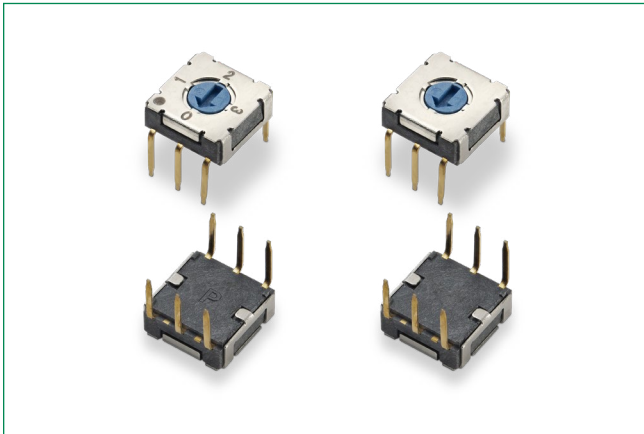


RTF Series

7.2 mm x 7.2 mm Low Profile Rotary DIP Switches



Specifications

Contact Rating	100mA, DC 5V (switching) 100mA, DC 50V (non-switching)
Packaging	Switches are supplied in rigid dispensing tubes in full-tube quantities only, this may affect order quantities. Number of switches per tube varies with model. Tape and reel packing is available with "S", "A" and "J" type terminations.

Mechanical Characteristics

Mechanical and Electrical Life	10,000 cycles
Initial Contact Resistance	100 milliohms max.
Insulation Resistance	100 megohms min.

Environmental Characteristics

Operating Temperature	-40°C to 85°C
Storage Temperature	
Operating Force	200 gf max.

Process

Solderability	Dip and look solderability testing per C&K spec #448
Solder Conditions	Iron soldering, C/K/S/A/J termination: 3s/350°C Wave soldering, C/K/A termination: 5s/280°C Reflow soldering, S/J termination: 10s/260°C

Description

The RTF series offers the most compact 7.2 mm x 7.2 mm low profile rotary DIP switches. It has a new design with different actuators and different terminations. Rated IP67.

Features & Benefits

- New generation
- Most compact rotary DIP switch
- Through-hole, Crimped, J-Bend, Angled and Surface Mount Models
- New designs with different actuators
- Ingress Protection: IP67
- RoHS compliant
- Reflow compatible

Applications

- Industrial and control automation
- Automotive
- Computer and peripherals
- Instrumentation
- Security devices

Materials

Cover	Steel, Stainless Steel
Base	LCP
Actuator	
Contacts	Phosphor bronze, gold plated
Spring & Guide Plate	Stainless steel
Terminals	Brass, gold plated
O-ring	Silicon

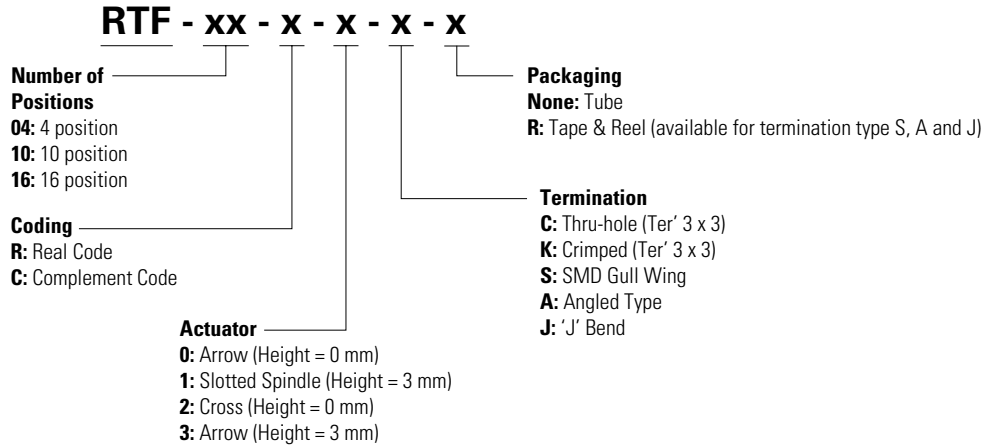
RTF Series

7.2 mm x 7.2 mm Low Profile Rotary DIP Switches



Ordering Number

The Build-A Switch concept allows you to mix and match options to create the switch you need. Below is a complete listing of options shown in catalog. To order, simply select desired option from each category and place in the appropriate box.



Coding

R Real Code

04 Position

		Real Code				
		C	1	2	4	8
04 Position	0	•	•	•	•	•
	1	•	•	•	•	•
	2	•	•	•	•	•
	3	•	•	•	•	•

10 Position

		Real Code				
		C	1	2	4	8
10 Position	0	•	•	•	•	•
	1	•	•	•	•	•
	2	•	•	•	•	•
	3	•	•	•	•	•
	4	•	•	•	•	•
	5	•	•	•	•	•
	6	•	•	•	•	•
	7	•	•	•	•	•
	8	•	•	•	•	•
	9	•	•	•	•	•

16 Position

		Real Code				
		C	1	2	4	8
16 Position	0	•	•	•	•	•
	1	•	•	•	•	•
	2	•	•	•	•	•
	3	•	•	•	•	•
	4	•	•	•	•	•
	5	•	•	•	•	•
	6	•	•	•	•	•
	7	•	•	•	•	•
	8	•	•	•	•	•
	9	•	•	•	•	•
	A	•	•	•	•	•
	B	•	•	•	•	•
	C	•	•	•	•	•
	D	•	•	•	•	•
	E	•	•	•	•	•
	F	•	•	•	•	•

C Complement Code

04 Position

		Complement Code				
		C	1	2	4	8
04 Position	0	•	•	•	•	•
	1	•	•	•	•	•
	2	•	•	•	•	•
	3	•	•	•	•	•

10 Position

		Complement Code				
		C	1	2	4	8
10 Position	0	•	•	•	•	•
	1	•	•	•	•	•
	2	•	•	•	•	•
	3	•	•	•	•	•
	4	•	•	•	•	•
	5	•	•	•	•	•
	6	•	•	•	•	•
	7	•	•	•	•	•
	8	•	•	•	•	•
	9	•	•	•	•	•

16 Position

		Complement Code				
		C	1	2	4	8
16 Position	0	•	•	•	•	•
	1	•	•	•	•	•
	2	•	•	•	•	•
	3	•	•	•	•	•
	4	•	•	•	•	•
	5	•	•	•	•	•
	6	•	•	•	•	•
	7	•	•	•	•	•
	8	•	•	•	•	•
	9	•	•	•	•	•
	A	•	•	•	•	•
	B	•	•	•	•	•
	C	•	•	•	•	•
	D	•	•	•	•	•
	E	•	•	•	•	•
	F	•	•	•	•	•

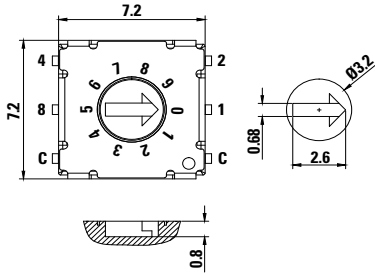
RTF Series

7.2 mm x 7.2 mm Low Profile Rotary DIP Switches

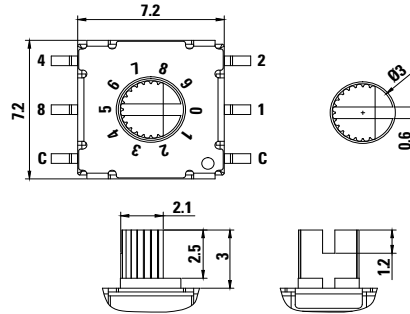


Actuator

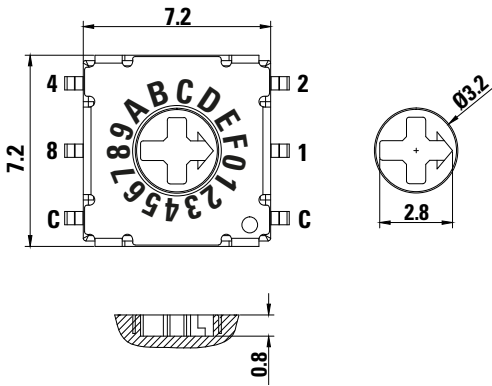
0 Arrow (Height = 0 mm)



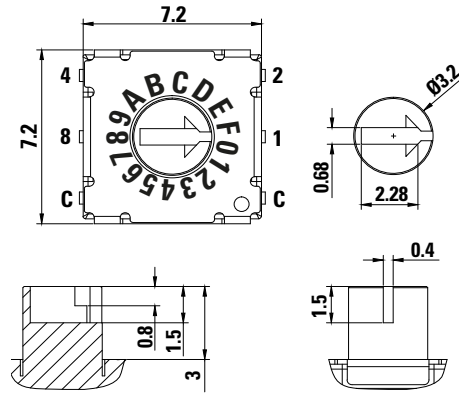
1 Slotted Spindle (Height = 3 mm)



2 Cross (Height = 0 mm)

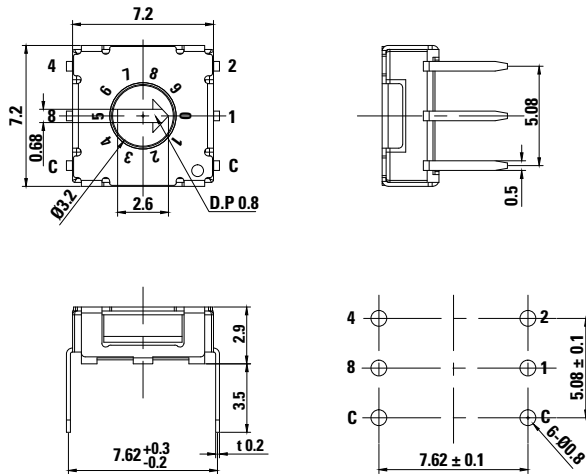


3 Arrow (Height = 3 mm)

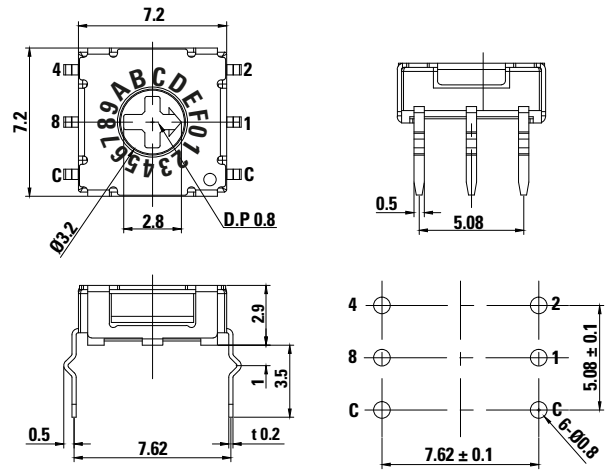


Terminations

C Thru-hole



K Crimped (Ter' 3 x 3)

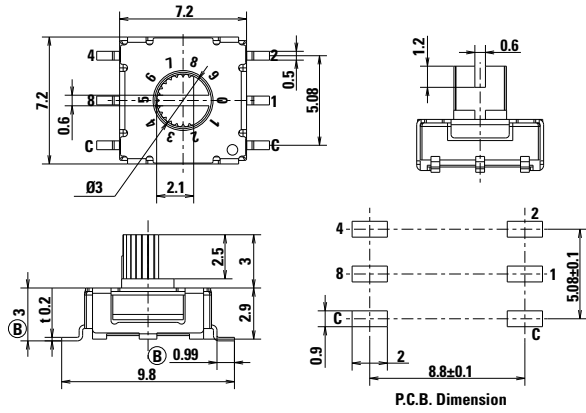


RTF Series

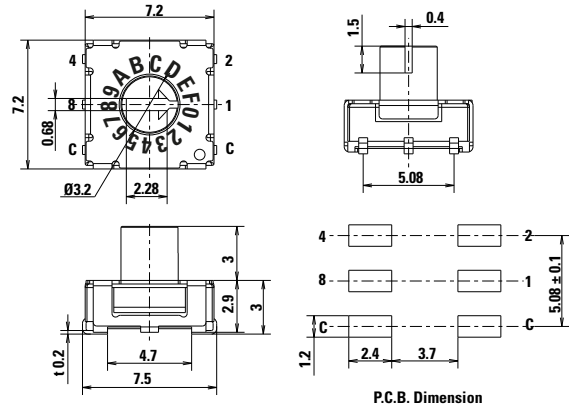
7.2 mm x 7.2 mm Low Profile Rotary DIP Switches



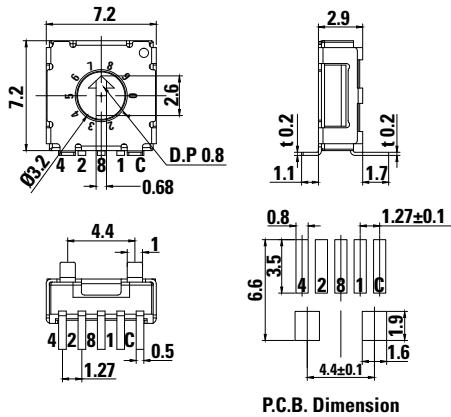
S SMD Gull Wing



J Bend SMD

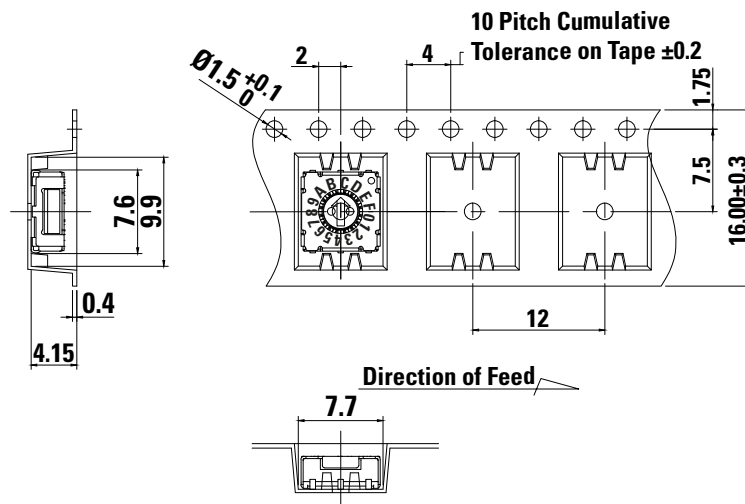


A Angled Type



Tape and Reel

The tape and reel is applicable for Actuator 0 or 2 with Termination S or J, 1300 pcs/reel

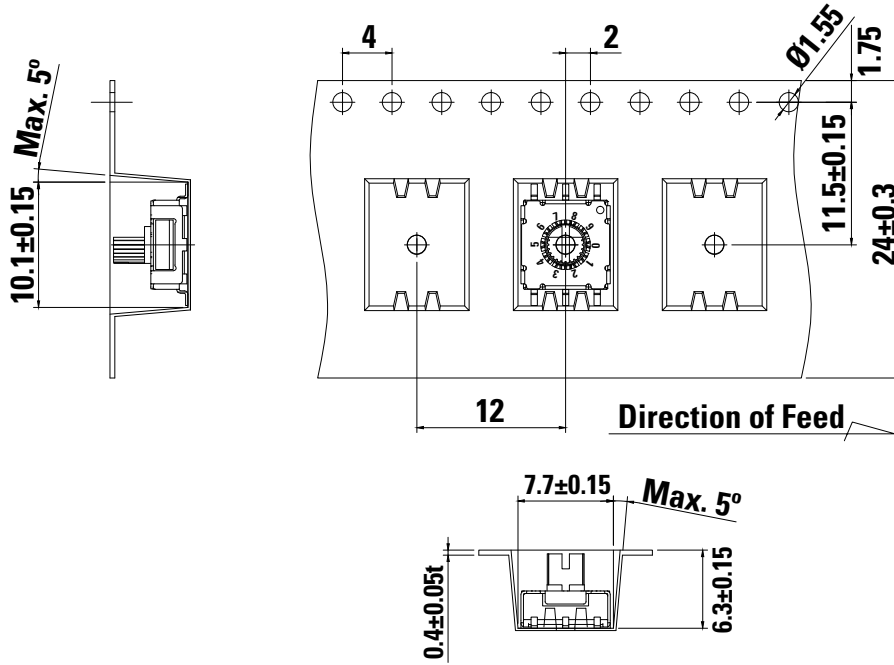


RTF Series

7.2 mm x 7.2 mm Low Profile Rotary DIP Switches



The tape and reel is applicable for Actuator 1 or 3 with Termination S or J, 800 pcs/reel



Disclaimer Notice - Information furnished is believed to be accurate and reliable. However, users should independently evaluate the suitability of and test each product selected for their own applications. Littelfuse products are not designed for, and may not be used in, all applications. Read complete Disclaimer Notice at <http://www.littelfuse.com/disclaimer-electronics>.