

# KSC4 TE Series

## Tireless Endurance Tactile Switch



### Specifications

Function	Normally open
Contact Arrangement	SPST NO
Terminals	J bend for SMT
Contact Material	Silver plated

### Electrical Characteristics

Max. Power	0.03 VA
Min./Max. Voltage	1V / 24V
Min./Max. Current DC	1mA / 3mA
Dielectric Strength	250 Vrms
Contact Resistance	≤ 100 mΩ
Insulation Resistance	1000 MOhm
Bounce Time	1 ms

### Environmental Characteristics

Operating Temperature	-40°C to 90°C
-----------------------	---------------

### Process

Soldering	This component is suited to the following methods: Cleaning according to typical washing processes. Lead free reflow soldering process in accordance with IEC 61760-1
Packaging	In reels of 1,400 pieces Dimensions of reels according to EIA RS481 or IEC 2863 External diameter 380 ± 2 mm

## Description

KSC4 TE tireless endurance tactile switch is a new KSC4 configuration with J leads, a soft actuator and a renewed combination of dome and support, upgrading the lifetime up to 10 million cycles. With a size of 6.2 x 6.3 mm and actuation forces at 1.6N, 2.8N and 4N, KSC4 TE is perfect for demanding applications such as applications in the industrial segment.

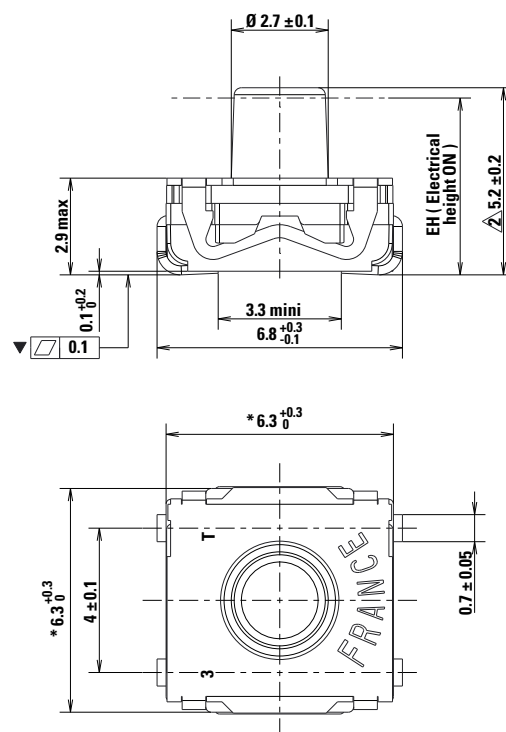
## Features & Benefits

- New combination of dome/support
- Silicone actuator
- J terminations
- Tape & reel
- IP67

## Applications

- Elevator
- Game controllers/ Drones
- Industrial applications
- Medical applications

### Dimensions



# KSC4 TE Series

## Tireless Endurance Tactile Switch



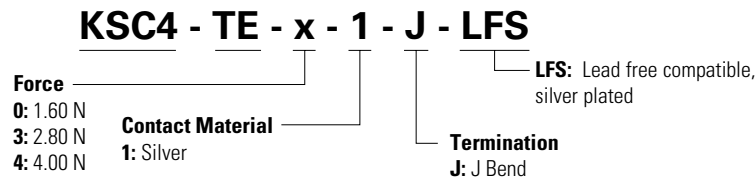
### Mechanical Characteristics

Part #	Force (N)	Operating Life (operations)	Electrical Height ON (mm)
KSC4TE 01J LFS	1.60±0.6	10,000,000	4.9±0.2
KSC4TE 31J LFS	2.80±0.7	5,000,000	4.8±0.2
KSC4TE 41J LFS	4.00±1.0	5,000,000	4.6±0.2

**Note:** Life time under electrical load (24 V, 1.3 mA)

### Ordering Number

Our easy build-a-switch concept allows you to mix and match options to create the switch you need. To order, select desired option from each category and place it in the appropriate box. For any part number different from those listed above, please consult your local representative.



### Liability Limitation

This datasheet does not provide enough information for applications that require a certain level of quality or safety such as automotive, medical systems, or safety equipment. Please contact customer service for the contractual specification package.

**Disclaimer Notice** - Information furnished is believed to be accurate and reliable. However, users should independently evaluate the suitability of and test each product selected for their own applications. Littelfuse products are not designed for, and may not be used in, all applications. Read complete Disclaimer Notice at <http://www.littelfuse.com/disclaimer-electronics>.