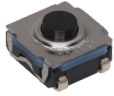


**NEW**

# KSC11 Series Sealed Tact Switch for SMT



### Features/Benefits

- **Hard actuator**
- **Long life**
- **Positive tactile feeling**
- **IP67 sealed**
- **SMT**

### Typical Applications

- **Gaming/ Drones**
- **Industrial**
- **Medical**
- **High-end consumer**
- **Avionics**

### Specification

FUNCTION: Normally open  
 CONTACT TYPE: SPST NO  
 TERMINALS: J bend for SMT  
 CONTACT MATERIAL: Silver plated

### Environmental

OPERATING TEMPERATURE: -40°C to 85°C

### Mechanical

Type	Force (N)	Life	Travel (mm)
KSC1101J LFS	1.60 ±0.4	3,000,000	0.20 ±0.1
KSC1131J LFS	3.20 ±0.6	2,000,000	0.25 ±0.15
KSC1151J LFS	5.00 ±1.0	1,000,000	0.40 ±0.15

### Electrical

MAXIMUM POWER: 1 VA  
 MIN. / MAX. VOLTAGE: 0.02V / 32V  
 MIN. / MAX. CURRENT: 1 mA / 50 mA  
 DIELECTRIC STRENGTH: 250 Vrms  
 CONTACT RESISTANCE: ≤ 100 mΩ  
 INSULATION RESISTANCE: (100V): 1000 MΩ  
 BOUNCE TIME: ≤ 5 ms

### Soldering

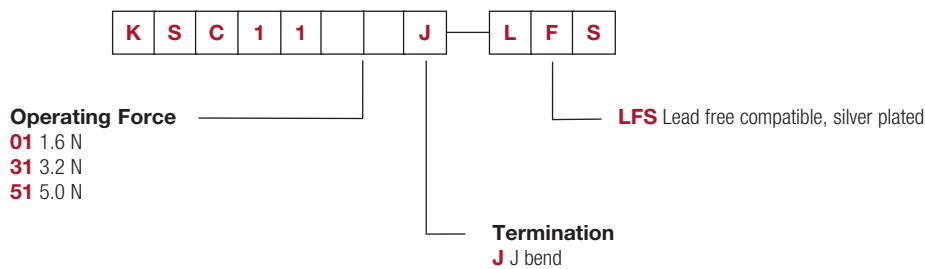
This component is suited to the following methods:  
 – Cleaning according to typical washing processes  
 – Lead free reflow soldering process in accordance with IEC 61760-1

### Packaging

In reels of 1,700 pieces  
 Width of carrier tape: 16 mm  
 Dimensions of reels: 380 mm

### How To Order

Our easy build-a-switch concept allows you to mix and match options to create the switch you need. To order, select desired option from each category and place it in the appropriate box.  
 For any part number different from those listed above, please consult your local representative.

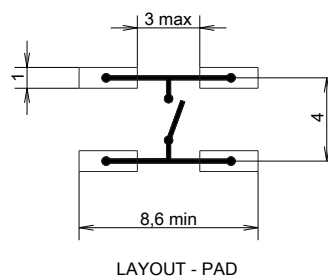
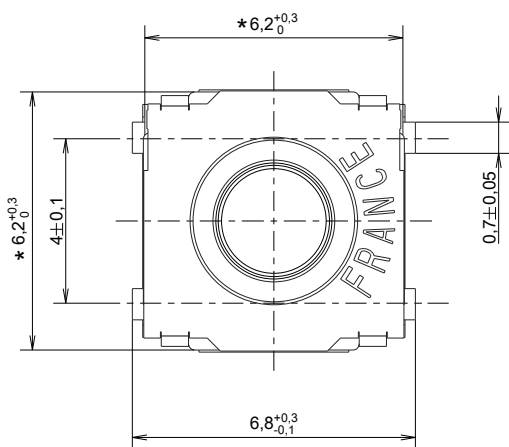
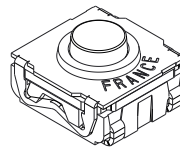
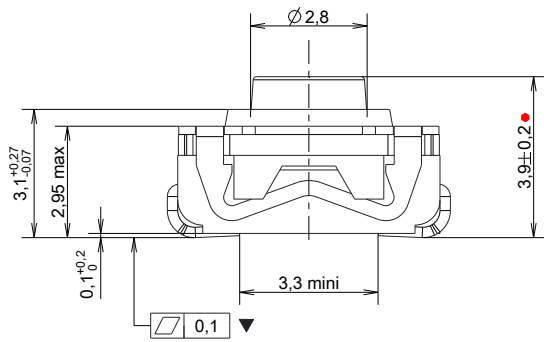


# KSC11 Series Sealed Tact Switch for SMT

**NEW**

Tactile Switches

B



Dimensions are shown: mm  
Specifications and dimensions subject to change

